

# Ademco SL150 Program Sheet

- Enter Program** 1. 4112 + 8 + 0 + 0 (Display should show 20)  
or Power down then back up and press \* and # within 1 minute  
(If exiting programming you can re-enter within 1 minute by pressing \* and #)
- Exit Program** 1. \*98 OR 2. \*99 if needing to re-enter programming later by Code + 8 + 00
- Move to Location** \* + Location
- View Location** # + Location (Display will read off one digit at a time)
- Set Time/Date**
1. Master Code + # + 63
  2. Press \* within 30 seconds
  3. Enter 2-digit Hour (00 to 12)
  4. Enter 2-digit Minute (00 to 59)
  5. Press 1 for PM, press 2 for AM
  6. Enter last 2 digits of Year (01 to ??)
  7. Enter 2-digit Month
  8. Enter 2-digit Day
  9. Press \* to exit or wait 10 seconds

*20 Installer Code	4   1   1   2	
*21 Quick Arm Enable	1	0 = No 1 = Yes
*22 RF System Type	0	0 = None 1 = 5800 Receiver
*23 Forced Bypass Enable	0	0 = No 1 = Yes
*24 RF House Code	0   0	00 = Disabled, 01 to 31
*25 Wired Expansion Module	0	0 = None 1 = 4219 8-Zone Expander 2 = 4229 Zone Expander Module 3 = 4204 Relay Module
*26 Chime by Zone	0	0 = No 1 = Yes (Program Zones in Zone List 3)
*27 X-10 House Code	0	0 = A 1 = B 2 = C 3 = D 4 = E 5 = F 6 = G 7 = H 8 = I 9 = J #10 = K #11 = L #12 = M #13 = N #14 = O #15 = P
*28 4285 Voice Module Access Code	0   0	00 = Disabled 1st digit = 1 to 9 2nd digit = # + 11 = * or # + 12 = #
*29 Output to Long Range Radio	0	0 = No 1 = Yes
*30 Hardwire Short Detection	0	0 = Disable 1 = Enable
*31 Single Alarm Sounding/Zone	0	0 = No 1 = Yes
*32 Fire Sounder Timeout	0	0 = Timeout 1 = No Timeout
*33 Alarm Bell Timeout	0	0 = None 1 = 4 minutes 2 = 8 minutes 3 = 12 minutes 4 = 16 minutes
*34 Exit Delay	2	0 = 30 seconds 1 = 45 seconds
*35 Entry Delay 1	0	2 = 60 seconds 3 = 90 seconds
*36 Entry Delay 2	1	4 = 120 seconds 5 = 180 seconds 6 = 240 seconds
*37 Audible Exit Warning	1	0 = No 1 = Yes



# Ademco SL150 Program Sheet

**\*56 Zone Programming**

(Must use 6139 or 6160 Alpha Keypad here)

1. Press 1 here to allow confirming sensor after serial number input

Set To Confirm? 0 = No 1 = Yes 0
-------------------------------------

2. Enter Zone to program (01 to 99)

(\* for next, # for previous menu)

Enter Zn Num. (00 = Quit) 10
---------------------------------

This example shows Zone 10

Hardwire Sensors	Zones 01 to 08	
2-wire Smokes	Zone 01 only	
4-wire Smokes	Zones 02 to 06	
4219/4229 Zone Expander	Zones 10 to 17	
Receiver Tamper/Trouble	Zone 09	
Wireless	Zones 10 to 35	(Depends on receiver capacity)
Duress	Zone 92	
Fire Panic	Zone 95	
Medical Panic	Zone 96	
Police Panic	Zone 99	

3. This shows summary of current Zone programming

(\* for next, # for previous menu)

Zn ZT RC In: L 10 00 A0 RF: - -
------------------------------------

4. Enter Zone Type

(\* for next, # for previous menu)

10 Zone Type Disabled 00
-----------------------------

00 = Zone Disabled/Deleted	10 = Interior with Delay
01 = Delay Zone	14 = Carbon Monoxide
02 = Secondary Delay Zone	15 = Medical
03 = Perimeter/Instant	20 = Arm-Stay (RF only)
04 = Interior Follower/Motions	21 = Arm-Away (RF only)
05 = Trouble by Day/Alarm by Night	22 = Disarm (RF only)
06 = 24 Hr Silent/Holdup	23 = No Alarm Response
07 = 24 Hr Police Panic	24 = Silent Burglary
08 = 24 Hr Aux/Medical	64 = One Button Page
09 = 24 Hr Supervised Fire	65 = Any Carbon Monoxide Alarm

To delete Zone enter 00  
then \* until "Delete Sensor"

5. Enter Report Code

(\* for next, # for previous menu)

10 Report Code 1st 10 2nd 00 A0
------------------------------------

(Enter 10 in first section, leave 2nd section alone)

5a. Enter Response if Hardwired Zone

(\* for next, # for previous menu)

10 Res Time 1
------------------

0 = 10msec	
1 = 350msec (Default)	
2 = 700msec	
3 = 1.2 seconds	

(Hardwire Zones only)

Hardwire Zones advance to step 9, Wireless Zones continue with step 6

6. Enter type of Sensor

(\* for next, # for previous menu)

10 Input Type RF Trans. 3
------------------------------

2 = Auxiliary Wired (Expander)	
3 = Supervised RF (Doors, Motions, Smokes)	
4 = Un-Supervised RF (some Panics)	
5 = RF Button Type RF (Keyfobs/Panics)	

7. Serial Number Programming

(\* for next, # for previous menu)

Press 1 at "Learn Sensor?" then enter serial number or trip sensor twice, Loop number will also be learned

10 Input S/N: L A XXX-XXXX
-------------------------------

This shows ready to learn

10 Input S/N: L A884-3345 2
--------------------------------

Serial and Loop number is manually entered here  
or learned by tripping twice (keypad will beep)  
(Serial number sticker is on sensor)

8. If "Set to Confirm" was selected while first entering \*56 this will appear

XMIT TO CONFIRM PRESS * TO SKIP
------------------------------------

Trip sensor again to confirm

Keyd A055-4557 1 Rcvd A055-5433 1
--------------------------------------

If incorrect serial number was learned this will appear  
(Can be used to find out a serial number if sticker was removed)

# Ademco SL150 Program Sheet

9. This shows summary of new sensor programming (\* for next, # for previous menu)

```
Zn ZT RC In: L
10 03 A0 RF: 1s
```

10. Press 0 for next sensor or 1 to enter Alpha descriptions

```
Program Alpha?
0 = No 1 = Yes 0
```

11. Enter next sensor or 00 then \* or # to exit \*56 menu

```
Enter Zn Num.
(00 = Quit) 10
```

**\*58 Expert Programming (faster) (Must use 6139 or 6160 Alpha Keypad here)**

1. Press 1 here to allow confirming sensor after serial number input

```
Set To Confirm?
0 = No 1 = Yes 0
```

2. Enter Zone to program (01 to 99) then \*

```
Zn ZT RC HW:RT
01 00 A0 EL : 1
```

3. Enter Zone Type

```
Zn ZT RC In: L
11 01 - -: -
```

(Display moves to Report Code, # starts over)

- |                                    |                                |
|------------------------------------|--------------------------------|
| 00 = Zone Disabled/Deleted         | 10 = Interior with Delay       |
| 01 = Delay Zone                    | 14 = Carbon Monoxide           |
| 02 = Secondary Delay Zone          | 15 = Medical                   |
| 03 = Perimeter/Instant             | 20 = Arm-Stay (RF only)        |
| 04 = Interior Follower/Motions     | 21 = Arm-Away (RF only)        |
| 05 = Trouble by Day/Alarm by Night | 22 = Disarm (RF only)          |
| 06 = 24 Hr Silent/Holdup           | 23 = No Alarm Response         |
| 07 = 24 Hr Police Panic            | 24 = Silent Burglary           |
| 08 = 24 Hr Aux/Medical             | 64 = One Button Page           |
| 09 = 24 Hr Supervised Fire         | 65 = Any Carbon Monoxide Alarm |

To delete Zone enter 00 then \* until "Delete Sensor"

4. Display moves to Report Code

```
Zn ZT RC In: L
11 01 10 RF: 1
```

(Display moves to Sensor Type, # starts over)

- (Enter 10)  
 A key moves left through fields if needed  
 B key moves right through fields if needed  
 C key copies previous Zone attributes

Hardwired Zones automatically skip to step 9, Wireless Zones continue with step 5

5. Enter Wireless sensor type then \*

```
Zn ZT RC In: L
11 01 10 RF: 1
```

- 3 = Supervised RF (Doors, Motions, Smokes)  
 4 = Un-Supervised RF (some Panics)  
 5 = RF Button Type RF (Keyfobs/Panics)

6. If Wireless enter Serial Number or trip sensor twice (Keypad will beep twice as Sensor learns)

```
11 Input S/M: L
Axxx-xxxx
```

This shows ready to learn

```
10 Input S/M: L
A884-3345 2
```

Serial and Loop number is manually entered here or learned by tripping twice (keypad will beep) (Serial number sticker is on sensor)

7. Enter Loop only if manually entering Serial Number (\* for next, # for previous menu)

```
Zn ZT RC In: L
11 01 10 RF: 1
```

8. If "Set to Confirm" was selected while first entering \*58 this will appear

```
XMIT TO CONFIRM
PRESS * TO SKIP
```

Trip sensor again to confirm

9. Enter next sensor or 00 then \* or # to exit \*58 menu

```
Zn ZT RC In: L
12 00 A0 RF: 1
```

# Ademco SL150 Program Sheet

## \*58 Keyfob Quick Learn Programming

Learns all 4 Zones at once, panel reserves 8 zones for keyfobs (Zones 49 to 56)

\*58 Expert Programming (Must use 6139 or 6160 Alpha Keypad here)

1. Press 1 here to allow confirming sensor after serial number input

```
Set To Confirm?
0 = No  1 = Yes  0
```

2. Keypad displays summary of current programming, press D key and do NOT press \*

```
Zn ZT RC HW:RT
01 00 A0 EL : 1
```

3. Enter Template

```
TEMPLATE ?
1 - 6      1
```

For standard 5804 use Template 3 (best choice) then \*  
For 5804Bi-Directional use Template 6 (best choice) then \*

5804 Standard Keyfobs		5804BD/BDV Bi-direction Keyfob	
<b>Template 1</b> Loop 1 = 23 (No Response) Loop 2 = 22 (Disarm) Loop 3 = 21 (Arm Away) Loop 4 = 23 (No Response)	<b>Template 2</b> Loop 1 = 23 (No Response) Loop 2 = 22 (Disarm) Loop 3 = 21 (Arm Away) Loop 4 = 20 (Arm Stay)	<b>Template 4</b> Loop 1 = 23 (No Response) Loop 2 = 23 (No Response) Loop 3 = 21 (Arm Away) Loop 4 = 22 (Disarm)	<b>Template 5</b> Loop 1 = 23 (No Response) Loop 2 = 20 (Arm Stay) Loop 3 = 21 (Arm Away) Loop 4 = 22 (Disarm)
<b>Template 3</b> Loop 1 = 07 (24 Hour Audible) Loop 2 = 22 (Disarm) Loop 3 = 21 (Arm Away) Loop 4 = 20 (Arm Stay)	<b>Template 6</b> Loop 1 = 07 (24 Hour Audible) Loop 2 = 20 (Arm Stay) Loop 3 = 21 (Arm Away) Loop 4 = 22 (Disarm)		

4. this is template 3 settings for 5804 (Left) or Template 6 for 5804BD/BDV (Right)

```
L 01 02 03 04
T 07 22 21 20
```

```
L 01 02 03 04
T 07 20 21 22
```

5. Panel searches highest free 4 consecutive Zones then displays 1st of the 4 Zones (in this case 53)

```
ENTER START ZONE
00 = QUIT    53
```

6. Press \* to accept template and learn sensor (Do not worry about Loop numbers)

```
53 Input S/N: L
  AXXX-XXXX
```

Press any key on sensor to learn S/N or manually enter serial number

```
XMIT TO CONFIRM
PRESS * TO SKIP
```

Trip sensor again to confirm (will show matching serial numbers)

7. Panel now searches next highest free 4 consecutive Zones for next keyfob (in this case 49)

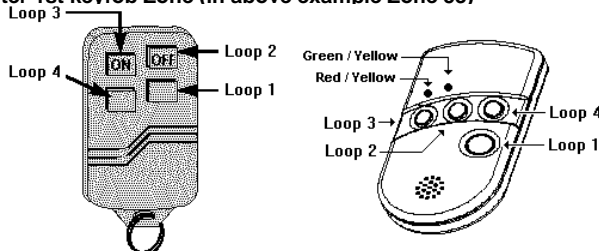
```
ENTER START ZONE
00 = QUIT    49
```

```
Zn ZT RC HW:RT
01 00 A0 EL : 1
```

Press \* for next keyfob or 00 for normal \*58 Zone programming

Keyfobs will NOT operate until assigned to a User (see below)

- User Assign
1. Master Code + 8 + User (02 to 33) + # + 4
  2. Enter 1st keyfob Zone (in above example Zone 53)



## Ademco SL150 Program Sheet

- |  |                                   |   |
|--|-----------------------------------|---|
| *59 Exit Alarm Report Code             | 0                                 |   |
| *60 Trouble Report Code                | 1   0                             |   |
| *61 Bypass Report Code                 | 0   0                             |   |
| *62 AC Loss Report Code                | 1   0                             |   |
| *63 Low Bat Report Code                | 1   0                             |   |
| *64 Test Report Code                   | 0   0                             |   |
| *65 Open Report Code                   | 0                                 |   |
| *66 Away/Stay Report Code              | 0   0                             |   |
| *67 RF Xmtr Low Bat Report Code        | 0   0                             |   |
| *68 Cancel Report Code                 | 1   0                             |   |
| *70 Alarm Restore Report Code          | 0                                 |   |
| *71 Trouble Restore Report Code        | 0   0                             |   |
| *72 Bypass Restore Report Code         | 0   0                             |   |
| *73 AC Restore Report Code             | 0   0                             |   |
| *74 Low Bat Restore Report Code        | 0   0                             |   |
| *75 RF Low Bat Restore Report Code     | 0   0                             |   |
| *76 Test Restore Report Code           | 0   0                             |   |
| *77 Daylight Savings Start/End Month   | 4   10                            | 0 = Disabled<br>1 = January to 12 = December  |
| *78 Daylight Savings Start/End Weekend | 1   Start<br>  5   End            | 1 = 1st Weekend<br>2 = 2nd Weekend<br>3 = 3rd Weekend<br>4 = 4th Weekend<br>5 = Last Weekend<br>6 = Next to Last Weekend<br>7 = 3rd from Last Weekend |
| *79 Dynamic Signaling                  | 0   DS Delay<br>  0   DS Priority | 0 = No Delay, 1 to 15x15 seconds<br>0 = Primary Phone First, 1 = LRR first  |
| *80 Output Programming                 |                                   | (see end of program sheet)  |
| *81 Zone Lists for Output Devices      |                                   | (see end of program sheet)  |
| *82 Custom Alpha Editing               |                                   |   |
| *84 Auto Stay Arming                   | 0                                 | 0 = No<br>1 = Yes   |
| *85 Cross Zone Timer                   | 0                                 | 0 = 30 seconds<br>1 = 45 seconds<br>2 = 60 seconds<br>3 = 90 seconds<br>4 = 120 seconds<br>5 = 180 seconds<br>6 = 240 seconds                         |
| *87 Alarm Pager Delay Time             | 3                                 | 0 = None<br>1 = 1 minutes<br>2 = 2 minutes<br>3 = 3 minutes   |
| *88 Pager Characteristics (16 digits)  |                                   |   |
| *89 Event Log 80% Full Reporting       | 0   0                             |   |
| *90 Event Logging                      | 0                                 | 0 = None<br>1 = Alarm/Restore<br>2 = Trouble/Restore<br>4 = Bypass/Bypass Restore<br>8 = Open/Close   |
| *91 Option Selection                   | 0                                 | 0 = None<br>4 = AAV 2-way module enabled<br>8 = Enable Exit Delay Restart<br>12 = Exit Delay Restart & AAV Enable                                     |

# Ademco SL150 Program Sheet

\*92 Phone Monitor Enable                   |   0   |  
 (Panel MUST be properly grounded for this to work!)

0 = Not Used  
 1 = KP Display  
 2 = KP Display/Sounder  
 3 = KP Display/Sounder/Dev #2 starts

\*93 Swinger Suppression                   |   3   |

0 = Unlimited  
 1 to 15 = 1 to 15 Alarms while Armed

*94 Download Phone (20 digits)	<u>  1  </u>   <u>  8  </u>   <u>  0  </u>   <u>  0  </u>   <u>  6  </u>   <u>  8  </u>   <u>  2  </u>   <u>  1  </u>   <u>  6  </u>   <u>  9  </u>   <u>  0  </u>
*95 Ring Count	<u>  #  15  </u>                     0 to #15 #15 = Answer Machine Defeat
*96 Reinitialize Download	(No Value needed, keypad will just beep)

\*97 Default Panel                                 (No Value needed, keypad will beep and default panel)

\*98 Exits Program Mode                         (Will not allow re-entry with Installer Code + 8 + 0 + 0)

\*99 Exits Program Mode                         (Will allow re-entry with Code + 8 + 0 + 0)

**\*80 Output Programming (If using 4204 or 4229 Modules)**

1. Enter Device to program (01 to 04)

(\* for next, 00 to exit)

Output Funct #	01
(00 = Quit)	

2. Displays current START programming

(\* for next, # for previous menu)

01 A EV ZL ZT -	
STT 0 0 0 00 -	

3. This Displays current STOP programming

(\* for next, # for previous menu)

01 A EV ZL ZT -	
STP - - 0 00 -	

4. Enter what Device will do

(\* for next, # for previous menu)

01 Device Action	
No Response 0	

0 = No Response  
 1 = Close for 2 seconds  
 2 = Close and stay closed  
 3 = Continuous Pulse On/Off

5. Enter what STARTS Device

(\* for next, # for previous menu)

01 Start Event	
Not Used 0	

0 = Not Used (or skip)  
 1 = on an Alarm  
 2 = on a Zone Fault  
 3 = on a Trouble

6. Enter Zone List that STARTS Device

(\* for next, # for previous menu)

01 Start: Zn Lst	
No List 0	

0 = Not Used/Skip  
 1 = Zone List 1  
 2 = Zone List 2  
 3 = Zone List 3

7. Enter Zone Type that STARTS Device

(\* for next, # for previous menu)

01 Start: Zn Typ	
Not Used 00	

00 = Skip this step 01 = Delay Zone 02 = Secondary Delay Zone 03 = Perimeter/Instant 04 = Interior Follower/Motions 05 = Trouble by Day/Alarm by Night 06 = 24 hour Silent/Holdup 07 = 24 hour Police Panic 08 = 24 hour Aux/Medical 09 = Fire 10 = Interior Delay 20 = Arm-Stay 21 = Arm-Away	22 = Disarming 31 = End of Exit Time 32 = Start of Entry Time 33 = Any Burglar Alarm 36 = At Bell Timeout or Disarm 38 = Chime 39 = Any Fire Alarm 40 = Bypassing 41 = AC Power Failure 42 = System Low Battery 43 = Communication Failure 52 = Kisooff 58 = Duress 65 = Any Carbom Monoxide Alarm
--	---

# Ademco SL150 Program Sheet

## 8. Enter Zone List that STOPS Device

(\* for next, # for previous menu)

01 Stop: Zn List  
No List 0

0 = Not Used/Skip  
1 = Zone List 1  
2 = Zone List 2  
3 = Zone List 3

## 9. Enter Zone Type that STOPS Device

(\* for next, # for previous menu)

01 Stop: Zn Typ  
Not Used 00

(See Zone Types in Step 7)

## 10. Display shows new START programming

(\* for next, # for previous menu)

01 A EV ZL ZT -  
STT 0 0 0 00 -

## 11. Display shows new STOP programming

(\* for next, # for previous menu)

01 A EV ZL ZT -  
STT 0 0 0 00 -

## 12. Select if Relay or X-10 Device

(\* for next, # for previous menu)

01 X10 Device?  
0 = No 1 = Yes 0

## 13. Enter next Relay to program or 00 to exit

Output Funct #  
(00 = Quit) 01

## \*81 Zone Lists for Output Devices

### 1. Enter Zone List to program or 00 to Quit

(\* for next, # for previous menu)

Enter Zn List  
(00 = Quit) 01

01 = Zone List 1 (Standard X-10 or Relay Devices)  
02 = Zone List 2 (Standard X-10 or Relay Devices)  
03 = Zone List 3 (Standard X-10 or Relay Devices/Chime by Zone)  
06 = Pager 1 Reporting  
07 = Pager 2 Reporting

### 2. Enter Zone Number to add to List (01, 02 etc) or 00 to Quit

(\* for next, # for previous menu)

01 Enter Zn Num.  
(00 = Quit) 00

Multiple Zones can be added  
(example: 01\* 03\* 25\*etc)

### 3. If deleting a Zone List enter (01 to 03) or 0 to skip

(\* for next, # for previous menu)

01 Del Zn List?  
0 = No 1 = Yes 0

### 4. If deleting Zone within Zone List enter 1 or 0 to skip

(\* for next, # for previous menu)

01 Delete Zone?  
0 = No 1 = Yes 0

### 4a. If 1 was entered from previous step enter here then 00

(\* for next, # for previous menu)

01 Zn to Delete?  
(00 = Quit) 00

Multiple Zones can be deleted  
(example: 01\* 03\* 25\*etc)

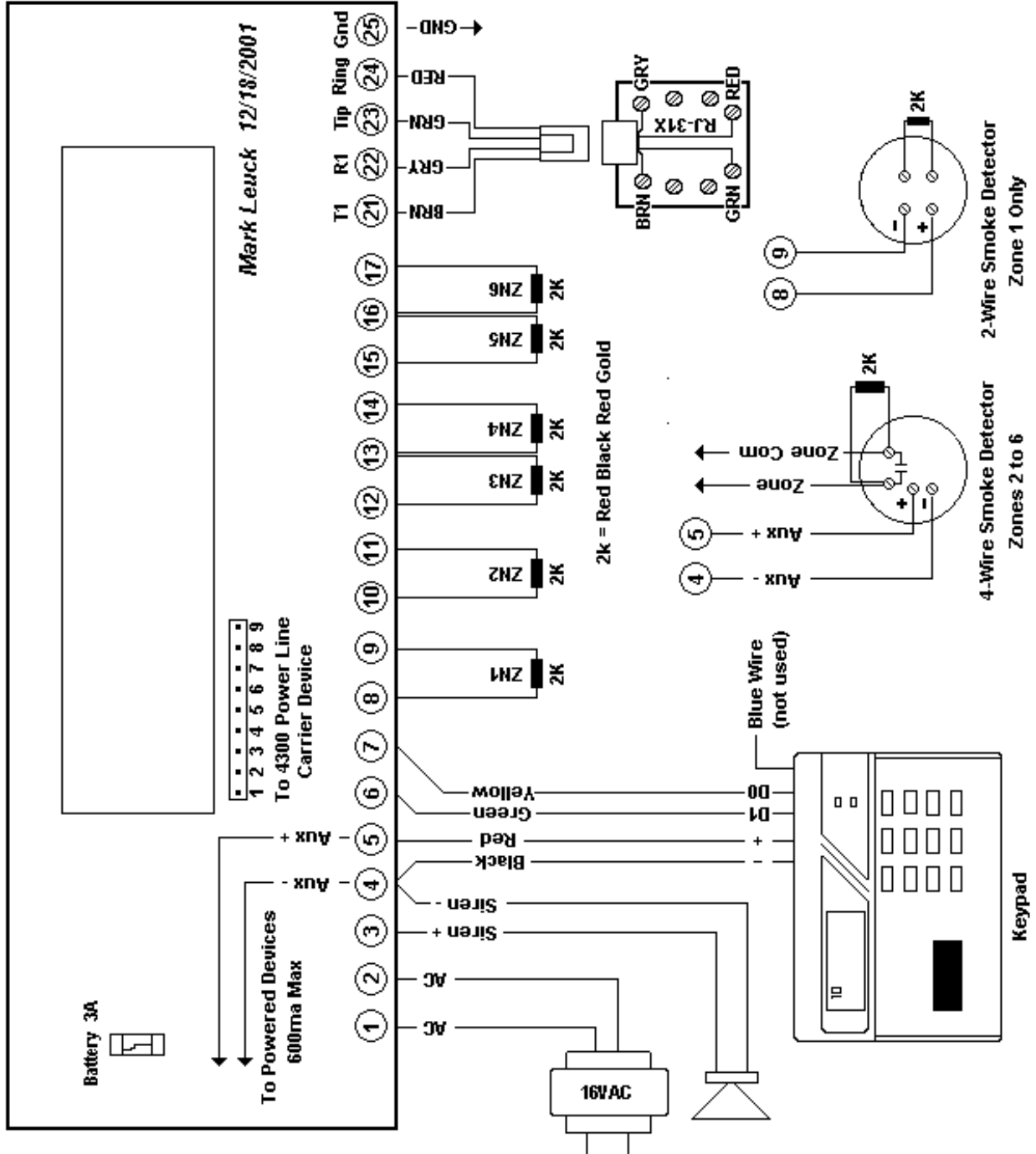
### 5. Enter next Zone List to program or 00 to Quit

(\* for next, # for previous menu)

Enter Zn List  
(00 = Quit) 01



# Ademco SL150 Program Sheet



# Monitronics Monitoring and Service: 1-800-447-9239 Ademco SL150 Quick Reference Guide

Arm Away	User Code + AWAY key (2), the ARM light will turn on and the display will show AWAY <i>Note: If system shows NOT READY press * to view open zones</i>
Arm Stay	User Code + STAY key (3), the ARM light will turn on and the display will show STAY
Disarming / Silencing Alarms	User Code + OFF key (1) If turning off an alarm enter User Code + OFF key (1) again to clear display
Instant Doors	User Code + INSTANT key (7) to arm system (The Exit Delay is still active with this command)
Zone Bypassing	User Code + BYPASS key (6) + Zone (01, 02, 03 etc). The display will show BYPASS and the zone bypassed <i>Note: Fire/Smoke Detector Zones cannot be bypassed</i>
User Codes	Enter MASTER CODE + CODE key (8) then the User you wish to program (03, to 15 then enter desired code, system will beep once when completed To delete a code Enter MASTER CODE + CODE key (8) then the User to delete (03 to 15) then wait, after 3 seconds the keypad will beep and erase the code Change Master Code: Enter MASTER CODE + CODE key (8) + 02 + New MASTER CODE Twice
Door Chimes	Master Code + CHIME key (9), if activated the display will show CHIME, repeat to turn Chimes OFF
Trouble Display	NO AC = Loss of AC power to the system LOW BAT = Main panel has a low battery, if LOW BAT appears with a zone number that zone has low battery CHECK = There is a problem with a wireless zone, fire zone or the main systems wireless receiver
Panic Buttons	By holding down a combination of numbers will activate the Police, Fire and Medical Panics Press * and # at same time for Police Panic Press 1 and * at the same time for Fire Panic Press 3 and # at the same time for Medical Panic <i>Note: The Fire and Medical Panics may be reversed or disabled on some systems</i>

***Do not pause more than 2 seconds between each keypress or system will ignore above commands***