

Ademco Vista-10SE/First Alert FA-142C Program Sheet

Enter Program Installer Code + 8 + 0 + 0 (Display should show 20)
 or Power down then back up and press * and # within 1 minute
 (If exiting programming you can re-enter within 1 minute by pressing * and #)

Move to Location * + Location

View Location # + Location (Display will read off one digit at a time)

Exit Program 1. *98 OR 2. *99 if needing to re-enter programming later by Code + 8 + 00

*20 Installer Code	4 1 1 1	
*21 Quick Arm Enable	1	0 = No 1 = Yes
*22 RF System Type	?	0 = None 2 = 5800 wireless with 5881 receiver
*23 Force Bypass Enable	0	0 = No 1 = Yes
*24 RF House Code	0 0	00 = Disabled / 01-31 Used only with 5700 series wireless 5804BD keyfob and 5827BD Keypad (House Code must match sensors)
*25 Output Relay Module	0	0 = None 3 = 4204 Relay Module
*26 4284/4285 Voice Module Code (Allows access to Voice module)	0 0	00 = Disabled 1st digit = 1 to 9 2nd digit = # + 11 = * or # + 12 = #
*27 Output to Long Range Radio	0	0 = No 1 = Yes
*28 Single Alarm Sound/Zone	0	0 = No 1 = Yes
*29 Fire Sounder Timeout	1	0 = Yes 1 = No Fire Timeout
*30 Alarm Bell Timeout	2	0 = None 3 = 12 minutes 1 = 4 minutes 4 = 16 minutes 2 = 8 minutes
*38 Entry Delay Exit Delay = Entry + 15 seconds	2	1 = 20 seconds 4 = 60 seconds 2 = 30 seconds 5 = 90 seconds 3 = 45 seconds
*39 Audible Exit Warning	1	0 = No 1 = Yes
*40 PABX Access Code		(If 9 is needed to dial add here)

*41 Primary Phone (12 digits) End Phone with *		# + 11 = * # + 12 = # # + 13 = 2.5 second pause
*42 Secondary Phone		Use for pager, pager will <u>not</u> work if Account Number starts with 0
*43 Subscriber Account		Hex A = # + 10 B = # + 11 C = # + 12 D = # + 13 E = # + 14 F = # + 15
*45 Phone System Select	1	0 = Pulse Dial 1 = DTMF Dial 2 = Pulse Dial, CS on Watts Line 3 = DTMF Dial, CS on Watts Line
*46 Report Format	7	0 = 3/1, 4/1 Ademco L/S Standard 1 = 3/1, 4/1 Radionics Standard 2 = 4/2 Ademco L/S Standard 3 = 4/2 Radionics Standard 6 = 4/2 Ademco Express 7 = Contact ID 8 = 3/1, 4/1 Ademco L/S Expanded 9 = 3/1, 4/1 Radionics Expanded

Ademco Vista-10SE/First Alert FA-142C Program Sheet

*47 Split/Dual Reporting 0 (use 6 for pagers)

To Primary Phone

- 0 = All Reports
- 1 = Alarms, Restore, Cancel
- 2 = All Reports except Open/Close, Test
- 3 = Alarms, Restore, Cancel
- 4 = All Reports except Open/Close, Test
- 5 = All Reports (Dual Reporting)
- 6 = All reports except Open/Close
- 7 = All reports
- 8 = All reports
- 9 = All reports except Open/Close

To Secondary Phone

- Backup only
- All Other Reports
- Open/Close, Test
- All Reports
- All Reports
- All Reports
- Alarms, Open/Close, Troubles
- Alarms, Troubles
- Alarms, Open/Close, Troubles
- Alarms, Open/Close for Users 5-25, Troubles

*48 15 Sec Burg Dial Delay 0

- 0 = No
- 1 = Yes

*49 Periodic Test Message 3

- 0 = None
- 1 = 24 Hours
- 2 = Weekly
- 3 = Monthly

*50 Sescoa/Radionics 0

- 0 = No
- 1 = Yes

*51 Confirmation of Arming Ding 0

- 0 = No
- 1 = Yes
- 2 = Yes for RF Arming (keyfobs etc)

*52 Zone 3 Response 0

- 0 = 400 ms
- 1 = 10 ms

Must use 6139 Alpha Keypad here

***56 Zone Assignments**

1. Depending on version of system one of these may appear
(If "Program Tool?" press 0, if "Set to Confirm?" shows press 1)

Program Tool? 0 = No 1 = Yes 0
--

Set To Confirm? 0 = No 1 = Yes 0
--

2. Enter Zone to program (01 to 96)

(* for next, # for previous menu)

Enter Zn Num. (00 = Quit) 10

Hardwire	Zones 01 to 06
4219/4229 Expander	Zones 10 to 17
Police Panic	Zone 07
Duress	Zone 08
Receiver Trouble	Zone 09
Wireless	Zones 10 to 25 (Depends on receiver capacity)
Fire Panic	Zone 95
Medical Panic	Zone 96

3. This shows current summary of Zone programming

(* for next, # for previous menu)

Zn ZT RC In: L 10 00 A0 RF: - -

4. Enter Zone Type

(* for next, # for previous menu)

10 Zone Type Disabled 00

00 = Zone Disabled	08 = 24 hour Aux/Medical
01 = Delay Zone	09 = Fire
02 = Do not Use	10 = Interior Delay
03 = Perimeter/Instant	20 = Arm-Stay (RF only)
04 = Interior Follower/Motions	21 = Arm-Away (RF only)
05 = Trouble by Day/Alarm by Night	22 = Disarm (RF only)
06 = 24 hour Silent/Holdup	23 = No Alarm Response
07 = 24 hour Police Panic	

5. Enter Report Code

(* for next, # for previous menu)

10 Report Code 1st 10 2nd 00 A0

(10 in first section gives a report of A0)

Hardwire Zones will advance to step 9, for Wireless Zones continue
(If it doesn't go to next steps check if Receiver has been programmed in *22)

Ademco Vista-10SE/First Alert FA-142C Program Sheet

6. Enter type of Sensor

10 Input Device
RF Trans. RF : 2

3 for Supervised RF (most sensors are RF)
4 for Un-Supervised RF
5 RF Button Type (Keyfobs/Panics etc)
6 Serial number polling loop devices

(New versions may skip step 7 and move to step 8, learn Loop number after learning sensor)

7. Enter Loop number (Some older systems)

(* for next, # for previous menu)

10 Input Device
RF Trans. RF : 2

Door Switch	Internal switch Loop 2, external sensor Loop 1
Glassbreak	Loop 1
Smoke Detectors	Loop 1
Motions	Loop 1
Keyfobs	Loop 1 Bottom Right Button
(Each button = 1 zone)	Loop 2 Top Right Button
	Loop 3 Top Left Button
	Loop 4 Bottom Left Button

8. Serial Number Programming

10 Learn S/N?
0 = No 1 = Yes 0

Press 1 and enter serial number
or trip sensor twice, 1st time to learn, 2nd to confirm
Note: Serial number found on sticker on of sensor

10 Input S/N: L
A XXX-XXXX

This shows ready to learn

10 Input S/N: L
A884-3345 2

This shows Serial Number either manually entered or learned

10 Confirmed
A884-3345 2

This shows sensor was confirmed by activating twice

9. This is the new programming of sensor

(* for next, # for previous menu)

Zn ZT RC In: L
10 03 A0 RF: 1s

10. Normally press 0 to return to start or 1 if if customer has 6139 keypad

Program Alpha?
0 = No 1 = Yes 0

- *60 Trouble Report Code | 1 | 0 |
- *61 Bypass Report Code | 0 | 0 |
- *62 AC Loss Report Code | 1 | 0 |
- *63 Low Bat Report Code | 1 | 0 |
- *64 Test Report Code | 0 | 0 |
- *65 Open (Disarm)/Exit Alarm | 0 | 0 |
- *66 Away/Stay Report | 0 | Away
 | 0 | Stay
- *67 RF Xmtr Low Bat | 0 | 0 |
- *68 Cancel Report Code | 1 | 0 |
- *70 Alarm Restore Code | 0 |
- *71 Trouble Restore Code | 0 | 0 |
- *72 Bypass Restore Code | 0 | 0 |
- *73 AC Restore Code | 0 | 0 |
- *74 Low Bat Rest Code | 0 | 0 |
- *75 RF Low Bat Rest Code | 0 | 0 |
- *80 Output Device Programming (If 4204 Relay is used)

1st digit = Opening Report
2nd digit = Exit Alarm

Ademco Vista-10SE/First Alert FA-142C Program Sheet

*81 Zone Lists for Output Devices

*82 Custom Alpha Editing

*83 Sequential Mode

*91 Option Selection | 0 |

0 = None

4 = AAV 2-way module enable
(4 turns off siren sounds during 2-way)

*92 Reports per Armed Period | 0 |

0 = 10 per armed period

1 = Unlimited per Armed period

*94 Download Phone Number | 1 | 8 | 0 | 0 | 6 | 8 | 2 | 1 | 6 | 9 | 0 | |

*95 Ring Count | # 15 |

(0 to #15 #15 = Answer Machine)

*96 Reinitialize Download (No Value needed, keypad will just beep)

*97 Default Panel (No Value needed, keypad will beep and default panel)

*98 Exits Program Mode (Will not allow re-entry with Installer Code + 8 + 0 + 0)

*99 Exits Program Mode (Will allow re-entry with Code + 8 + 0 + 0)

*80 Output Device Programming (If 4204 Relay is used)

1. Enter Device to program (01 to 04)

(* for next, 00 to exit)

Enter Device No.
(00 = Quit) 01

2. This shows summary of current Relay START programming

(* for next, # for previous menu)

01 A EV ZL ZT -
STT 0 0 0 00 -

(What starts the Relay)

3. This shows summary of current Relay STOP programming

(* for next, # for previous menu)

01 A EV ZL ZT -
STT 0 0 0 00 -

(What stops the Relay)

4. Enter what Relay will do when activated

(* for next, # for previous menu)

01 Device Action
No Response 0

0 = No Response (or skip)
1 = Close for 2 seconds
2 = Close and stay closed
3 = Continuous Pulse On/Off

5. Enter what will start the Relay (optional)

(* for next, # for previous menu)

01 Start Event
Not Used 0

0 = Not Used (or skip)
1 = on an Alarm
2 = on a Zone Fault (or Keyfob button)
3 = on a Trouble

6. Enter Zone List from *81 which STARTS Relay (optional)

(* for next, # for previous menu)

01 Start: Zn Lst
No List 0

0 = Not Used (or skip)
1 = Zone List 1
2 = Zone List 2
3 = Zone List 3

7. Enter Zone Type that will START the Relay (optional)

(* for next, # for previous menu)

01 Start: Zn Typ
Not Used 00

00 = Not Used (or skip)
01 = Entry/Exit Zone
03 = Perimeter/Instant Zone
04 = Interior Follower/Motions
05 = Trouble by Day/Alarm by Night
06 = 24 hour Silent/Holdup
07 = 24 hour Police Panic
08 = 24 hour Aux/Medical
09 = Fire
10 = Interior Delay
20 = Arm-Stay
21 = Arm-Away
22 = Disarming
31 = End of Exit Time
32 = Start of Entry Time
33 = Any Burglar Alarm
34 = Code + # + 7 Key Entry
35 = Code + # + 8 Key Entry
36 = Bell Timeout or Disarm
38 = Chime
39 = Any Fire Alarm
40 = Bypassing
41 = AC Power Failure
42 = System Low Battery
58 = Duress

Ademco Vista-10SE/First Alert FA-142C Program Sheet

8. Enter Zone List that will STOP the Relay (optional)

(* for next, # for previous menu)

01 Stop: Zn List
No List 0

0 = Not Used/Skip
1 = Zone List 1
2 = Zone List 2
3 = Zone List 3

9. Enter Zone Type that will STOP the Relay (optional)

(* for next, # for previous menu)

01 Stop: Zn Typ
Not Used 00

10. This shows summary of new Relay START programming

(* for next, # for previous menu)

01 A EV ZL ZT
STT 0 0 0 00

11. This shows summary of new Relay STOP programming

(* for next, # for previous menu)

01 A EV ZL ZT
STP - - 0 00

12. Enter next Relay/Device to program or 00 to exit

*81 Zone Lists for Output Devices

1. Enter Zone List to program (01 to 03) or 00 to Quit

(* for next, # for previous menu)

Enter Zn List
(00 = Quit) 01

2. Enter Zone Number to add to List (01, 02 etc) or 00 to Quit

(* for next, # for previous menu)

01 Enter Zn Num.
(00 = Quit) 00

Multiple Zones can be added
(example: 01* 03* 25*etc)

3. If deleting a Zone List enter (01 to 03) or 0 to skip

(* for next, # for previous menu)

01 Del Zn List?
0 = No 1 = Yes 0

4. If deleting Zone within Zone List enter 1 or 0 to skip

(* for next, # for previous menu)

01 Delete Zone?
0 = No 1 = Yes 0

4a. If 1 was entered from previous step enter here then 00

(* for next, # for previous menu)

01 Zn to Delete?
(00 = Quit) 00

Multiple Zones can be deleted
(example: 01* 03* 25*etc)

5. Enter next Zone List to program or 00 to Quit

(* for next, # for previous menu)

Enter Zn List
(00 = Quit) 01

Ademco Vista-10SE/First Alert FA-142C Program Sheet

*58 Keyfob Quick Learn Programming (Only with E2 enabled panels)

Learns all 4 Zones at once, panel reserves 8 zones for keyfobs (Zones 49 to 56)

*58 Expert Programming (Must use 6139 or 6160 Alpha Keypad here)

1. Press 1 here to allow confirming sensor after serial number input

Set To Confirm?
0 = No 1 = Yes 0

2. Keypad displays summary of current programming, press D key and do NOT press *

Zn ZT RC HW:RT
01 00 A0 EL : 1

3. Enter Template

TEMPLATE ?
1 - 6 1

For standard 5804 use Template 3 (best choice) then *
For 5804Bi-Directional use Template 6 (best choice) then *

5804 Standard Keyfobs		5804BD/BDV Bi-direction Keyfob	
Template 1	Loop 1 = 23 (No Response) Loop 2 = 22 (Disarm) Loop 3 = 21 (Arm Away) Loop 4 = 23 (No Response)	Template 4	Loop 1 = 23 (No Response) Loop 2 = 23 (No Response) Loop 3 = 21 (Arm Away) Loop 4 = 22 (Disarm)
Template 2	Loop 1 = 23 (No Response) Loop 2 = 22 (Disarm) Loop 3 = 21 (Arm Away) Loop 4 = 20 (Arm Stay)	Template 5	Loop 1 = 23 (No Response) Loop 2 = 20 (Arm Stay) Loop 3 = 21 (Arm Away) Loop 4 = 22 (Disarm)
Template 3	Loop 1 = 07 (24 Hour Audible) Loop 2 = 22 (Disarm) Loop 3 = 21 (Arm Away) Loop 4 = 20 (Arm Stay)	Template 6	Loop 1 = 07 (24 Hour Audible) Loop 2 = 20 (Arm Stay) Loop 3 = 21 (Arm Away) Loop 4 = 22 (Disarm)

4. this is template 3 settings for 5804 (Left) or Template 6 for 5804BD/BDV (Right)

L 01 02 03 04
T 07 22 21 20

L 01 02 03 04
T 07 20 21 22

5. Panel searches highest free 4 consecutive Zones then displays 1st of the 4 Zones (in this case 53)

ENTER START ZONE
00 = QUIT 53

6. Press * to accept template and learn sensor (Do not worry about Loop numbers)

53 Input S/N: L
AXXX-XXXX

Press any key on sensor to learn S/N or manually enter serial number

XMIT TO CONFIRM
PRESS * TO SKIP

Trip sensor again to confirm (will show matching serial numbers)

7. Panel now searches next highest free 4 consecutive Zones for next keyfob (in this case 49)

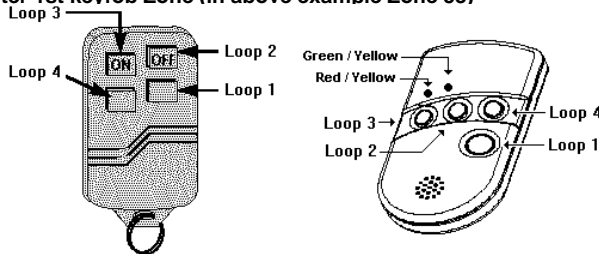
ENTER START ZONE
00 = QUIT 49

Zn ZT RC HW:RT
01 00 A0 EL : 1

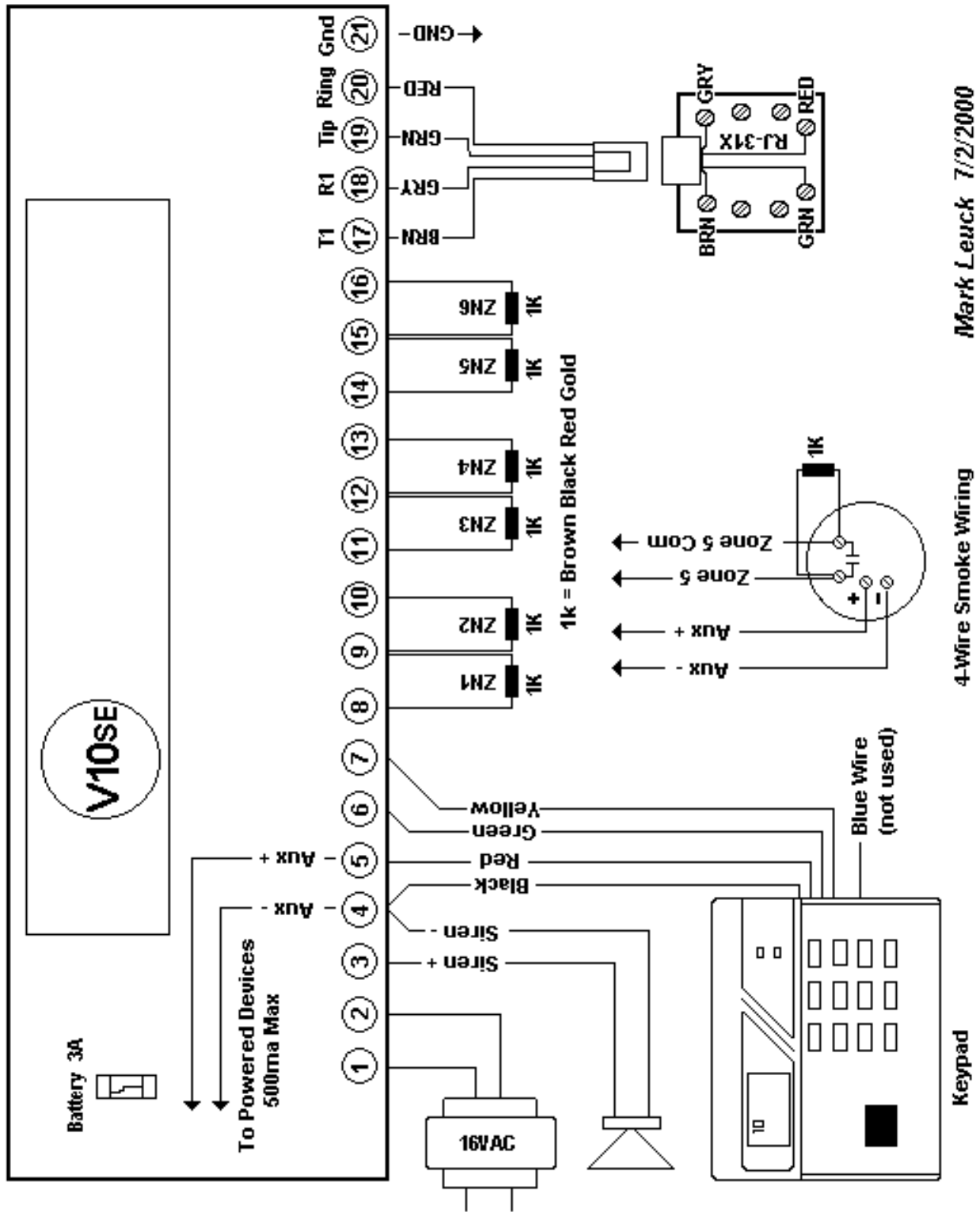
Press * for next keyfob or 00 for normal *58 Zone programming

Keyfobs will NOT operate until assigned to a User (see below)

- User Assign
1. Master Code + 8 + User (02 to 33) + # + 4
 2. Enter 1st keyfob Zone (in above example Zone 53)



Ademco Vista-10SE/First Alert FA-142C Program Sheet



Mark Leuck 7/2/2000

4-Wire Smoke Wiring

Monitronics Monitoring and Service: 1-800-447-9239 Ademco Vista-10SE/First Alert FA-142C Quick Reference Guide

Arm Away	User Code + AWAY key (2) <i>Note: If system shows NOT READY press * to view open zones</i>
Arm Stay	User Code + STAY key (3)
Disarming / Silencing Alarms	User Code + OFF key (1) If turning off an alarm enter 4 digit code + OFF key (1) again to clear display
Instant Doors	User Code + INSTANT (7) to arm system Entry/Exit doors will arm instant and motion detectors will be bypassed (display will show both STAY and INSTANT)
Zone Bypassing	User Code + BYPASS key (6) + zone (01, 02, 03 etc). The display will show BYPASS and the zone bypassed <i>Note: Fire/Smoke Detector Zones cannot be bypassed</i>
User Codes	Enter MASTER CODE + CODE key (8) Enter User to program (2 to 7) Enter new 4-digit User Code (Keypad will beep if command is successful) To delete a code Enter MASTER CODE + CODE key (8) Enter User to delete (3 to 7) then wait 3 seconds (Keypad will beep if command is successful) Master Code can be changed by MASTER CODE + 8 + 2 + New MASTER CODE
Door Chimes	Master Code + CHIME (9), if activated the display will show CHIME, repeat to turn Chimes OFF
Trouble Display	NO AC = Loss of AC power to the system LOW BAT = Main panel has a low battery, if LOW BAT appears with a zone number that zone has low battery CHECK = There is a problem with a wireless zone, fire zone or the main systems wireless receiver
Panic Buttons	By holding down a combination of numbers will activate the Police, Fire and Medical Panics Press * and # at same time for Police Panic Press 1 and * at the same time for Fire Panic Press 3 and # at the same time for Medical Panic <i>Note: The Fire and Medical Panics may be reversed or disabled on some systems</i>

Do not pause more than 2 seconds between each keypad or system will ignore above commands