

# Ademco Vista-20HW/SE Program Sheet

This system cannot support wireless sensors

**Enter Program**      1. 4112 + 8 + 0 + 0 (Display should show 20)  
 or Power down then back up and press \* and # within 1 minute  
 (If exiting programming you can re-enter within 1 minute by pressing \* and #)

**Exit Program**      1. \*98 OR 2. \*99 if needing to re-enter programming later by Code + 8 + 00

**Move to Location**   \* + Location

**View Location**      # + Location (Display will read off one digit at a time)

- |     |   |               |   |
|-----|---|---------------|---|
| *20 | Installer Code  | 4   1   1   2 |   |
| *21 | Quick Arm Enable  | 1             | Partition 1      0 = No   |
|     |   | 1             | Partition 2      1 = Yes  |
| *23 | Forced Bypass Enable  | 0             | Partition 1      0 = No   |
|     |   | 0             | Partition 2      1 = Yes  |
| *25 | Wired Expansion Module  | 0             | 0 = None<br>1 = 4219 8-Zone Expander<br>2 = 4229 Zone Expander Module<br>3 = 4204 Relay Module  |
| *26 | Chime by Zone   | 0             | 0 = No<br>1 = Yes (Program Zones in Zone List 3)  |
| *27 | X-10 House Code   | 0             | 0 = A   1 = B   2 = C   3 = D   4 = E   5 = F<br>6 = G   7 = H   8 = I   9 = J   #10 = K   #11 = L<br>#12 = M   #13 = N   #14 = O   #15 = P |
| *28 | 4285 Voice Module Access Code<br>(Allows access to Voice module)            | 0   0         | 00 = Disabled<br>1st digit = 1 to 9<br>2nd digit = # + 11 = * or # + 12 = #   |
| *29 | Output to Long Range Radio  | 0             | 0 = No<br>1 = Yes   |
| *32 | Fire Sounder Timeout  | 0             | 0 = Timeout<br>1 = No Timeout   |
| *33 | Alarm Bell Timeout  | 0             | 0 = None<br>1 = 4 minutes<br>2 = 8 minutes<br>3 = 12 minutes<br>4 = 16 minutes  |
| *34 | Exit Delay  | 6   0         | Partition 1      00 to 99 seconds   |
|     |   | 6   0         | Partition 2      00 to 99 seconds   |
| *35 | Entry Delay 1   | 3   0         | Partition 1      00 to 99 seconds   |
|     |   | 3   0         | Partition 2      00 to 99 seconds   |
| *36 | Entry Delay 2   | 3   0         | Partition 1      00 to 99 seconds   |
|     |   | 3   0         | Partition 2      00 to 99 seconds   |
| *37 | Audible Exit Warning  | 1             | Partition 1      0 = No   |
|     |   | 1             | Partition 2      1 = Yes  |
| *38 | Confirmation of Arming Ding   | 0             | Partition 1      0 = No   |
|     |   | 0             | Partition 2      1 = Yes<br>2 = Yes RF only   |
| *40 | PABX Access Code  |               | If 9 is needed to dial add here   |
| *41 | Primary Phone (12 digits)<br>End Phone with *                               |               | # + 11 = *   # + 12 = #   # + 13 = 2.5 second pause   |
| *42 | Secondary Phone   |               |   |
| *43 | Primary Account Partition 1   |               | (Last 4 of Account)   |
|     | A = # + 10   B = # + 11   C = # + 12   D = # + 13   E = # + 14   F = # + 15 |               |   |
| *44 | Secondary Account Partition 1   |               |   |
| *45 | Primary Account Partition 2   |               |   |
| *46 | Secondary Account Partition 2   |               |   |

# Ademco Vista-20HW/SE Program Sheet

- \*47 Phone System Select      | 3 |  
0 = Pulse Dial  
1 = DTMF Dial  
2 = Pulse Dial, CS on Watts Line  
3 = DTMF Dial, CS on Watts Line
- \*48 Report Format      | 7 | Partition 1  
| 7 | Partition 2  
0 = 3/1, 4/1 Ademco L/S Standard  
1 = 3/1, 4/1 Radionics Standard  
2 = 4/2 Ademco L/S Standard  
3 = 4/2 Radionics Standard  
6 = 4/2 Ademco Express  
7 = Contact ID  
8 = 3/1, 4/1 Ademco L/S Expanded  
9 = 3/1, 4/1 Radionics Expanded
- \*49 Split/Dual Reporting      | 0 |  
**To Primary Phone**  
0 = All Reports  
1 = Alarms, Restore, Cancel  
2 = All Reports except Open/Close, Test  
3 = Alarms, Restore, Cancel  
4 = All Reports except Open/Close, Test  
5 = All Reports (Dual Reporting)  
6 = All reports except Open/Close  
7 = All reports  
8 = All reports  
9 = All reports except Open/Close  
**To Secondary Phone**  
Backup Only  
All Other Reports  
Open/Close, Test  
All Reports  
All Reports  
All Reports  
Alarms, Open/Close, Troubles  
Alarms, Troubles  
Alarms, Open/Close, Troubles  
Alarms, Open/Close for Users 5-25, Troubles
- \*50 15 Second Dial Delay      | 0 |  
0 = No  
1 = Yes
- \*51 Periodic Test Message      | 0 |  
0 = None  
1 = 24 Hours  
2 = Weekly  
3 = Monthly
- \*52 Test Report Offset      | 0 |  
0 = Disabled  
1 = 6 Hours  
2 = 12 Hours  
3 = 18 Hours
- \*53 Sescoa/Radionics      | 0 |  
0 = Radionics  
1 = Sescoa
- \*56 Zone Assignments      **Must use 6139 Alpha Keypad here**

1. Depending on version of system one of these may appear  
(If "Program Tool?" press 0, if "Set to Confirm?" shows press 1)

Program Tool?  
0 = No 1 = Yes 0

Set To Confirm?  
0 = No 1 = Yes 0

2. Enter Zone to program (01 to 96)

Enter Zn Num.  
(00 = Quit) 10

Panel  
4219/4229 Expander  
Tamper  
Duress  
Fire Panic  
Medical Panic  
Police Panic

Zones 01 to 08  
Zones 10 to 17  
Zone 09  
Zone 92  
Zone 95  
Zone 96  
Zone 99

(\* for next, # for previous menu)

3. This shows current summary of Zone programming

Zn ZT RC In: L  
10 00 A0 RF: --

(\* for next, # for previous menu)

4. Enter Zone Type

10 Zone Type  
Disabled 00

00 = Zone Disabled  
01 = Delay Zone  
02 = Do not Use  
03 = Perimeter/Instant  
04 = Interior Follower/Motions  
05 = Trouble by Day/Alarm by Night  
06 = 24 hour Silent/Holdup  
07 = 24 hour Police Panic  
08 = 24 hour Aux/Medical  
09 = Fire  
10 = Interior Delay  
20 = Arm-Stay  
21 = Arm-Away  
22 = Disarm  
23 = No Alarm Response  
24 = Silent Burglary

(\* for next, # for previous menu)

# Ademco Vista-20HW/SE Program Sheet

**5. Enter Response Time**

(\* for next, # for previous menu)

10 Res Time	1
-------------	---

0 = 10msec  
 1 = 350msec (Default)  
 2 = 700msec

**6. Program Partition of Zone**

(\* for next, # for previous menu)

10 Partition	1
--------------	---

1 = Partition 1  
 2 = Partition 2

**7. Enter Report Code**

(\* for next, # for previous menu)

10 Report Code	1st 10 2nd 00 A0
----------------	------------------

(10 in first section gives a report of A0)

**7. Enter Sensor Type (only if Zone 10 and above)**

(\* for next, # for previous menu)

10 Input Type	RF Trans. 3
---------------	-------------

2 for AW (Auxiliary Wired Zones)

**8. This is the new programming of sensor**

(\* for next, # for previous menu)

Zn ZT RC In: L	10 03 A0 RF: 1s
----------------	-----------------

**9. Normally press 0 to return to start or 1 if customer has 6139 keypad**

Program Alpha?	0 = No 1 = Yes 0
----------------	------------------

To delete a Zone set Zone Type as 00 then \* until "Delete Sensor?", press 1 to delete

- \*59 Exit Alarm Report Code      | 0 |
- \*60 Trouble Report Code        | 1 | 0 |      (Fire Trouble)
- \*61 Bypass Report Code        | 0 | 0 |
- \*62 AC Loss Report Code        | 1 | 0 |
- \*63 Low Bat Report Code        | 1 | 0 |
- \*64 Test Report Code            | 0 | 0 |
- \*65 Open Report Code            | 0 | Partition 1  
                                  | 0 | Partition 2
- \*66 Away/Stay Report Code      | 0 | 0 | Partition 1    (1st digit Stay, 2nd Away)  
                                  | 0 | 0 | Partition 2    (1st digit Stay, 2nd Away)
- \*68 Cancel Report Code         | 1 | 0 |
- \*70 Alarm Restore Report Code   | 0 |
- \*71 Trouble Restore Report Code | 0 | 0 |
- \*72 Bypass Restore Report Code | 0 | 0 |
- \*73 AC Restore Report Code     | 0 | 0 |
- \*74 Low Bat Restore Report Code | 0 | 0 |
- \*76 Test Restore Report Code   | 0 | 0 |
- \*80 Output Device Programming
- \*81 Zone Lists for Output Devices
- \*82 Custom Alpha Editing
- \*83 Sequential Mode
- \*89 Event Log 80% Full         | 0 | 0 |
- \*90 Event Logging                | 0 |

0 = None  
 1 = Alarm/Restore  
 2 = Trouble/Restore  
 4 = Bypass/Bypass Restore  
 8 = Open/Close

# Ademco Vista-20HW/SE Program Sheet

- \*91 Option Selection        0        0 = None  
4 = AAV 2-way module enabled  
(4 turns off siren sounds during 2-way)
- \*92 Phone Monitor Enable        0        0 = Not Used  
(Panel MUST be properly grounded for this to work!)      1 = KP Disp  
2 = KP Disp/Sounder  
3 = KP Disp/Sounder/Dev 2 starts
- \*93 Reports per Armed Period        0        0 = 10 per Armed period  
1 = Unlimited per Armed period
- \*94 Download Phone Number        1     8     0     0     6     8     2     1     6     9     0
- \*95 Ring Count        #  15        0 to #15 #15 = Answer Machine Defeat)
- \*96 Reinitialize Download      (No Value needed, keypad will just beep)
- \*97 Default Panel      (No Value needed, keypad will beep and default panel)
- \*98 Exits Program Mode      (Will not allow re-entry with Installer Code + 8 + 0 + 0)
- \*99 Exits Program Mode      (Will allow re-entry with Code + 8 + 0 + 0)

\*80 Output Device Programming      (If 4204 Relay/4219/4229 Relay Zone Expander is used)

1. Enter Device to program (01 to 04)      (\* for next, 00 to exit)

Enter Device No. (00 = Quit)      01
---

2. This shows summary of current Relay START programming      (\* for next, # for previous menu)

01    A   EV   ZL   ZT   -	(What starts the Relay)
STT 0   0   0   00   -	

3. This shows summary of current Relay STOP programming      (\* for next, # for previous menu)

01    A   EV   ZL   ZT   -	(What stops the Relay)
STT 0   0   0   00   -	

4. Enter what Relay will do when activated      (\* for next, # for previous menu)

01 Device Action	0 = No Response (or skip) 1 = Close for 2 seconds 2 = Close and stay closed 3 = Continuous Pulse On/Off
No Response      0	

5. Enter what will start the Relay (optional)      (\* for next, # for previous menu)

01 Start Event	0 = Not Used (or skip) 1 = on an Alarm 2 = on a Zone Fault (or Keyfob button) 3 = on a Trouble
Not Used      0	

6. Enter Zone List from \*81 which STARTS Relay (optional)      (\* for next, # for previous menu)

01 Start: Zn Lst	0 = Not Used (or skip) 1 = Zone List 1 2 = Zone List 2 3 = Zone List 3
No List      0	

7. Enter Zone Type that will START the Relay (optional)      (\* for next, # for previous menu)

01 Start: Zn Typ	00 = Not Used (or skip) 01 = Entry/Exit Zone 03 = Perimeter/Instant Zone 04 = Interior Follower/Motions 05 = Trouble by Day/Alarm by Night 06 = 24 hour Silent/Holdup 07 = 24 hour Police Panic 08 = 24 hour Aux/Medical 09 = Fire 10 = Interior Delay 20 = Arm-Stay 21 = Arm-Away 22 = Disarming 24 = Silent Burglary 31 = End of Exit Time 32 = Start of Entry Time 33 = Any Burglar Alarm 36 = Bell Timeout or Disarm 38 = Chime 39 = Any Fire Alarm 40 = Bypassing 41 = AC Power Failure 42 = System Low Battery 43 = Communication Failure 52 = Kissoff 58 = Duress
Not Used      00	

# Ademco Vista-20HW/SE Program Sheet

8. Enter which Partition will START this Device (Optional)

(\* for next, # for previous menu)

01 Start: Part  
Any Partition 0

0 = Any Partition  
1 = Partition 1  
2 = Partition 2

8. Enter Zone List that will STOP the Relay (optional)

(\* for next, # for previous menu)

01 Stop: Zn List  
No List 0

0 = Not Used/Skip  
1 = Zone List 1  
2 = Zone List 2  
3 = Zone List 3 (for Chime by Zone Feature)

9. Enter Zone Type that will STOP the Relay (optional)

(\* for next, # for previous menu)

01 Stop: Zn Typ  
Not Used 00

8. Enter which Partition will STOP this Device (Optional)

(\* for next, # for previous menu)

01 Stop: Part  
Any Partition 0

0 = Any Partition  
1 = Partition 1  
2 = Partition 2

10. This shows summary of new Relay START programming

(\* for next, # for previous menu)

01 A EV ZL ZT  
STT 0 0 0 00

11. This shows summary of new Relay STOP programming

(\* for next, # for previous menu)

01 A EV ZL ZT  
STP - - 0 00

12. Enter next Relay/Device to program or 00 to exit

## \*81 Zone Lists for Output Devices

1. Enter Zone List to program (01 to 03) or 00 to Quit

(\* for next, # for previous menu)

Enter Zn List  
(00 = Quit) 01

1 = Zone List 1  
2 = Zone List 2  
3 = Zone List 3 and/or Chime Zones  
4 = Zone List 4 (Common Lobby Zones)

2. Enter Zone Number to add to List (01, 02 etc) or 00 to Quit

(\* for next, # for previous menu)

01 Enter Zn Num.  
(00 = Quit) 00

Multiple Zones can be added  
(example: 01\* 03\* 25\*etc)

3. If deleting a Zone List enter (01 to 03) or 0 to skip

(\* for next, # for previous menu)

01 Del Zn List?  
0 = No 1 = Yes 0

4. If deleting Zone within Zone List enter 1 or 0 to skip

(\* for next, # for previous menu)

01 Delete Zone?  
0 = No 1 = Yes 0

4a. If 1 was entered from previous step enter here then 00

(\* for next, # for previous menu)

01 Zn to Delete?  
(00 = Quit) 00

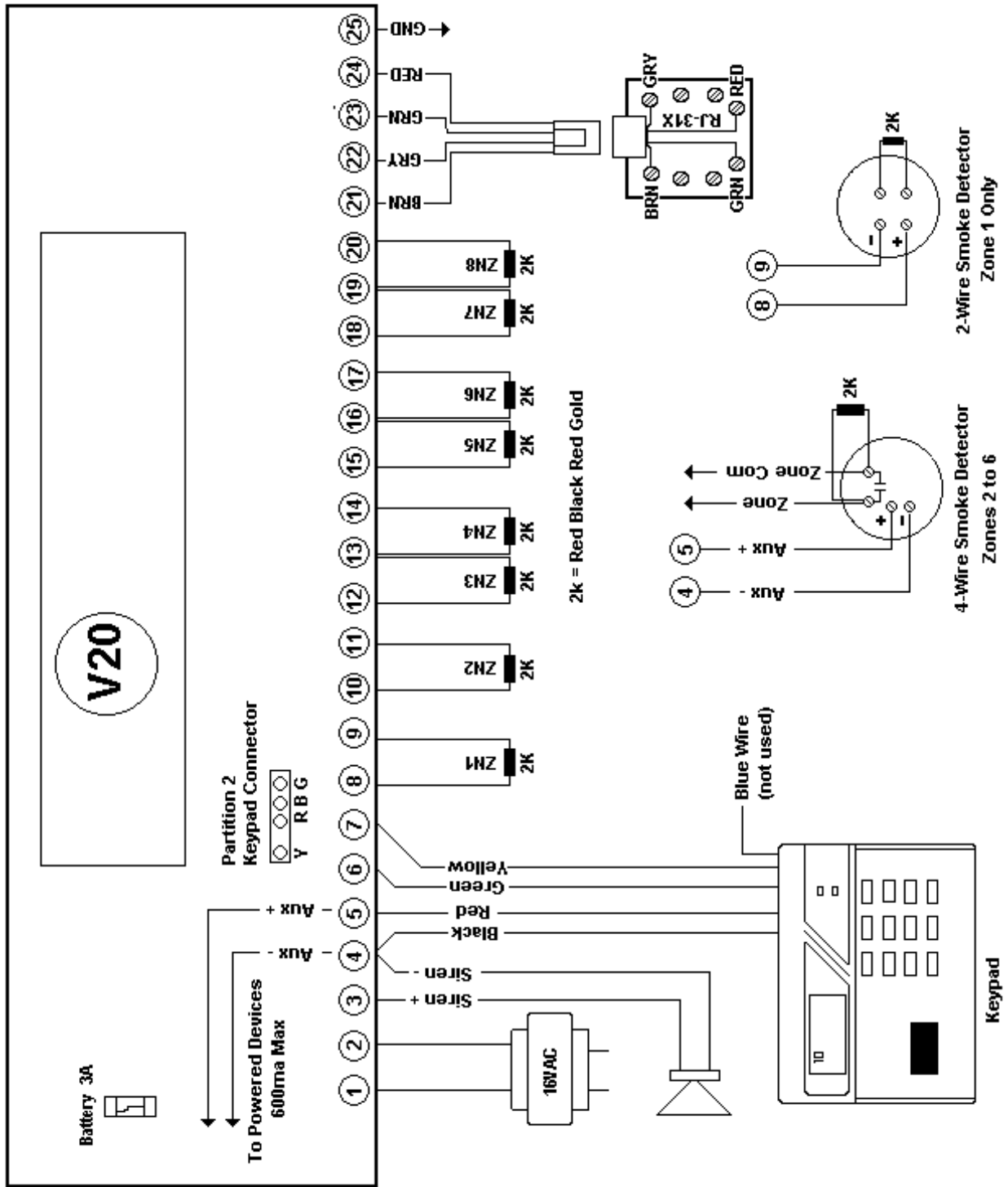
Multiple Zones can be deleted  
(example: 01\* 03\* 25\*etc)

5. Enter next Zone List to program or 00 to Quit

(\* for next, # for previous menu)

Enter Zn List  
(00 = Quit) 01

# Ademco Vista-20HW/SE Program Sheet



# Monitronics Monitoring and Service: 1-800-447-9239 Ademco Vista-20HWE Quick Reference Guide

Arm Away	User Code + AWAY key (2) <i>Note: If system shows NOT READY press * to view open zones</i>
Arm Stay	User Code + STAY key (3)
Disarming / Silencing Alarms	User Code + OFF key (1) If turning off an alarm enter User Code + OFF key (1) again to clear display
Instant Doors	User Code + INSTANT (7) to arm system Entry/Exit doors will arm instant and motion detectors will be bypassed (display will show both STAY and INSTANT)
Zone Bypassing	User Code + BYPASS key (6) + zone (01 to 30) <i>Note: Fire/Smoke Detector Zones cannot be bypassed</i>
User Codes	Enter MASTER CODE + CODE key (8) Enter User to program (03 to 15) Enter new 4-digit User Code To delete a code Enter MASTER CODE + CODE key (8) Enter User to delete (03 to 15) then wait 3 seconds (Keypad will beep if command is successful) Enter User to delete (03 to 15) then wait 3 seconds (Keypad will beep if command is successful) Master Code can be changed by entering MASTER CODE + CODE (8) + 02 + New MASTER CODE twice
Door Chimes	Master Code + CHIME (9), if activated the display will show CHIME, repeat to turn Chimes OFF
Trouble Display	NO AC = Loss of AC power to the system LOW BAT = Main panel has a low battery, if LOW BAT appears with a zone number that zone has low battery CHECK = There is a problem with a wireless zone, fire zone or the main systems wireless receiver
Panic Buttons	By holding down a combination of numbers will activate the Police, Fire and Medical Panics Press * and # at same time for Police Panic Press 1 and * at the same time for Fire Panic Press 3 and # at the same time for Medical Panic <i>Note: The Fire and Medical Panics may be reversed or disabled on some systems</i>

***Do not pause more than 2 seconds between each keypad or system will ignore above commands***