

# Ademco Vista-20SE/First Alert FA-162C Program Sheet

**Enter Program** 1. 4112 + 8 + 0 + 0 (Display should show 20)  
 or Power down then back up and press \* and # within 1 minute  
 (If exiting programming you can re-enter within 1 minute by pressing \* and #)

**Exit Program** 1. \*98 OR 2. \*99 if needing to re-enter programming later by Code + 8 + 00

**Move to Location** \* + Location

**View Location** # + Location (Display will read off one digit at a time)

- |  |   |   |
|--|---|---|
| *20 Installer Code   | 4     1     1     2                               |   |
| *21 Quick Arm Enable   | 1   Partition 1                                   | 0 = No  |
|  | 1   Partition 2                                   | 1 = Yes   |
| *22 RF System Type   | 0   | 0 = None  |
|  |   | 1 = 5800 Wireless                               |
| *23 Forced Bypass Enable   | 0   Partition 1                                   | 0 = No  |
|  | 0   Partition 2                                   | 1 = Yes   |
| *24 RF House Code  | 0     0   | 00 = Disabled, 01 to 31                         |
|  | Partition 2 House Code = Partition 1 House ID + 1 |   |
| *25 Wired Expansion Module   | 0   | 0 = None  |
|  |   | 1 = 4219 8-Zone Expander                        |
|  |   | 2 = 4229 Zone Expander Module                   |
|  |   | 3 = 4204 Relay Module                           |
| *26 Chime by Zone  | 0   | 0 = No  |
|  |   | 1 = Yes (Program Zones in Zone List 3)          |
| *27 X-10 House Code  | 0   | 0 = A 1 = B 2 = C 3 = D 4 = E 5 = F             |
|  |   | 6 = G 7 = H 8 = I 9 = J #10 = K #11 = L         |
|  |   | #12 = M #13 = N #14 = O #15 = P                 |
| *28 4285 Voice Module Access Code<br>(Allows access to Voice module) | 0     0   | 00 = Disabled                                   |
|  |   | 1st digit = 1 to 9                              |
|  |   | 2nd digit = # + 11 = * or # + 12 = #            |
| *29 Output to Long Range Radio                                       | 0   | 0 = No  |
|  |   | 1 = Yes   |
| *31 Single Alarm Sounding/Zone                                       | 0   | 0 = No  |
|  |   | 1 = Yes   |
| *32 Fire Sounder Timeout   | 0   | 0 = Timeout                                     |
|  |   | 1 = No Timeout                                  |
| *33 Alarm Bell Timeout   | 0   | 0 = None  |
|  |   | 1 = 4 minutes                                   |
|  |   | 2 = 8 minutes                                   |
|  |   | 3 = 12 minutes                                  |
| *34 Exit Delay   | 6     0   Partition 1                             | 00 to 99 Seconds                                |
|  | 6     0   Partition 2                             |   |
| *35 Entry Delay 1  | 3     0   Partition 1                             | 00 to 99 Seconds                                |
|  | 3     0   Partition 2                             |   |
| *36 Entry Delay 2  | 3     0   Partition 1                             | 00 to 99 Seconds                                |
|  | 3     0   Partition 2                             |   |
| *37 Audible Exit Warning   | 1   Partition 1                                   | 0 = No  |
|  | 1   Partition 2                                   | 1 = Yes   |
| *38 Confirmation of Arming Ding                                      | 0   Partition 1                                   | 0 = No  |
|  | 0   Partition 2                                   | 1 = Yes   |
|  |   | 2 = Yes RF only                                 |
| *39 Power Up in Previous State                                       | 0   | 0 = No  |
|  |   | 1 = Yes   |
| *40 PABX Access Code   |   | (If 9 is needed to dial add here)               |
| *41 Primary Phone (12 digits)<br>End Phone with *                    |   | # + 11 = * # + 12 = # # + 13 = 2.5 second pause |
| *42 Secondary Phone  |   |   |

# Ademco Vista-20SE/First Alert FA-162C Program Sheet

*43 Primary Account Partition 1	_   _   _   _	(Last 4 of Account) A = # + 10   B = # + 11   C = # + 12   D = # + 13   E = # + 14   F = # + 15
*44 Secondary Account Partition 1	_   _   _   _	
*45 Primary Account Partition 2	_   _   _   _	
*46 Secondary Account Partition 2	_   _   _   _	
*47 Phone System Select	<u>1</u>	0 = Pulse Dial 1 = DTMF Dial 2 = Pulse Dial, CS on Watts Line 3 = DTMF Dial, CS on Watts Line
*48 Report Format	<u>7</u>   Partition 1   <u>7</u>   Partition 2	0 = 3/1, 4/1 Ademco L/S Standard 1 = 3/1, 4/1 Radionics Standard 2 = 4/2 Ademco L/S Standard 3 = 4/2 Radionics Standard 6 = 4/2 Ademco Express 7 = Contact ID 8 = 3/1, 4/1 Ademco L/S Expanded 9 = 3/1, 4/1 Radionics Expanded
*49 Split/Dual Reporting	<u>0</u>	To Primary Phone 0 = All reports 1 = Alarms, Restore, Cancel 2 = All Reports except Open/Close, Test 3 = Alarms, Restore, Cancel 4 = All Reports except Open/Close, Test 5 = All Reports (Dual Reporting) 6 = All reports except Open/Close 7 = All reports 8 = All reports 9 = All reports except Open/Close
		To Secondary Phone Backup Only All Other Reports Open/Close, Test All Reports All Reports All Reports Alarms, Open/Close, Troubles Alarms, Troubles Alarms, Open/Close, Troubles Alarms, Open/Close for Users 5-25, Troubles
*50 15 Second Dial Delay	<u>0</u>	0 = No 1 = Yes
*51 Periodic Test Message	<u>0</u>	0 = None 1 = 24 Hours 2 = Weekly 3 = Monthly
*52 Test Report Offset	<u>0</u>	0 = Disabled 1 = 6 Hours 2 = 12 Hours 3 = 18 Hours
*53 Sescoa/Radionics	<u>0</u>	0 = Radionics 1 = Sescoa 0 = All Others

# Ademco Vista-20SE/First Alert FA-162C Program Sheet

\*56 Zone Assignments

Must use 6139 Alpha Keypad here

1. Depending on version of system one of these may appear  
(If "Program Tool?" press 0, if "Set to Confirm?" shows press 1)

Program Tool? 0 = No 1 = Yes 0
-----------------------------------

Set To Confirm? 0 = No 1 = Yes 0
-------------------------------------

2. Enter Zone to program (01 to 99)

(\* for next, # for previous menu)

Enter Zn Num. (00 = Quit) 10
---------------------------------

Hardwire	Zones 01 to 08	
4219/4229 Expander	Zones 10 to 17	
Receiver Trouble	Zone 09	
Wireless	Zones 10 to 39	(Depends on receiver capacity)
Duress	Zone 92	
Fire Panic	Zone 95	
Medical Panic	Zone 96	
Police Panic	Zone 07	

3. This shows current summary of Zone programming

(\* for next, # for previous menu)

Zn ZT RC In: L 10 00 A0 RF: --
-----------------------------------

4. Enter Zone Type

(\* for next, # for previous menu)

10 Zone Type Disabled 00
-----------------------------

00 = Zone Disabled	08 = 24 hour Aux/Medical	
01 = Delay Zone	09 = Fire	
02 = <i>Do not Use</i>	10 = Interior Delay	
03 = Perimeter/Instant	20 = Arm-Stay (RF only)	
04 = Interior Follower/Motions	21 = Arm-Away (RF only)	
05 = Trouble by Day/Alarm by Night	22 = Disarm (RF only)	
06 = 24 hour Silent/Holdup	23 = No Alarm Response	
07 = 24 hour Police Panic	24 = Silent Burglary	

5. Enter Response Time

(\* for next, # for previous menu)

10 Res Time 1
------------------

0 = 10msec  
1 = 350msec (Default)  
2 = 700msec

(Hardware Zones only)

6. Program Partition of Zone

(\* for next, # for previous menu)

10 Partition 1
-------------------

1 = Partition 1  
2 = Partition 2

7. Enter Report Code

(\* for next, # for previous menu)

10 Report Code 1st 10 2nd 00 A0
------------------------------------

(10 in first section gives a report of A0)

Hardwire Zones will advance to step 11, for Wireless Zones continue  
(If it doesn't go to next steps check if Receiver has been programmed in \*22)

7. Enter type of Sensor

10 Input Device RF Trans. RF : 2
-------------------------------------

2 = Auxiliary Wired Sensor (if 4219/4229 Zone Expander)  
3 for Supervised RF (most sensors are RF)  
4 for Un-Supervised RF  
5 RF Button Type (Keyfobs/Panics etc)

(New versions may skip step 8 and move to step 9, learn Loop number after learning sensor)

7. Enter Loop number (Some older systems show this)

(\* for next, # for previous menu)

10 Input Device RF Trans. RF : 2
-------------------------------------

Door Switch	Internal switch Loop 2, external sensor Loop 1	
Glassbreak	Loop 1	
Smoke Detectors	Loop 1	
Motions	Loop 1	
Keyfobs	Loop 1 Bottom Right Button	
(Each button = 1 zone)	Loop 2 Top Right Button	
	Loop 3 Top Left Button	
	Loop 4 Bottom Left Button	

# Ademco Vista-20SE/First Alert FA-162C Program Sheet

## 8. Serial Number Programming

**10 Learn S/N?**  
0 = No 1 = Yes 0

Press 1 and enter serial number  
or trip sensor twice, 1<sup>st</sup> time to learn, 2<sup>nd</sup> to confirm  
*Note:* Serial number found on sticker on of sensor

**10 Input S/N: L**  
XXXX-XXXX

This shows ready to learn

**10 Input S/N: L**  
A884-3345 2

This shows Serial Number either manually entered or learned

**10 Confirmed**  
A884-3345 2

This shows sensor was confirmed by activating twice

## 9. This is the new programming of sensor

(\* for next, # for previous menu)

**Zn ZT RC In: L**  
10 03 A0 RF: 1s

## 10. Normally press 0 to return to start or 1 if if customer has 6139 keypad

**Program Alpha?**  
0 = No 1 = Yes 0

- |                                    |       |   |
|------------------------------------|-------|---|
| *59 Exit Alarm Report Code         | 0     |   |
| *60 Trouble Report Code            | 1   0 |   |
| *61 Bypass Report Code             | 0   0 |   |
| *62 AC Loss Report Code            | 1   0 |   |
| *63 Low Bat Report Code            | 1   0 |   |
| *64 Test Report Code               | 0   0 |   |
| *65 Open Report Code               | 0     | Partition 1   |
|                                    | 0     | Partition 2   |
| *66 Away/Stay Report Code          | 0   0 | Partition 1 (1st digit Stay, 2nd Away)  |
|                                    | 0   0 | Partition 2 (1st digit Stay, 2nd Away)  |
| *67 RF Xmtr Low Bat Report Code    | 0   0 |   |
| *68 Cancel Report Code             | 1   0 |   |
| *70 Alarm Restore Report Code      | 0     |   |
| *71 Trouble Restore Report Code    | 0   0 |   |
| *72 Bypass Restore Report Code     | 0   0 |   |
| *73 AC Restore Report Code         | 0   0 |   |
| *74 Low Bat Restore Report Code    | 0   0 |   |
| *75 RF Low Bat Restore Report Code | 0   0 |   |
| *76 Test Restore Report Code       | 0   0 |   |
| *80 Output Device Programming      |       |   |
| *81 Zone Lists for Output Devices  |       |   |
| *82 Custom Alpha Editing           |       |   |
| *83 Sequential Mode                |       |   |
| *89 Event Log 80% Full             | 0   0 |   |
| *90 Event Logging                  | 0     | 0 = None<br>1 = Alarm/Restore<br>2 = Trouble/Restore<br>4 = Bypass/Bypass Restore<br>8 = Open/Close |
| *91 Option Selection               | 0     | 0 = None<br>4 = AAV 2-way module enabled<br>(4 disables siren during 2-way)                         |



# Ademco Vista-20SE/First Alert FA-162C Program Sheet

8. Enter which Partition will START this Device (Optional)

(\* for next, # for previous menu)

01 Start: Part  
Any Partition 0

0 = Any Partition  
1 = Partition 1  
2 = Partition 2

8. Enter Zone List that will STOP the Relay (optional)

(\* for next, # for previous menu)

01 Stop: Zn List  
No List 0

0 = Not Used/Skip  
1 = Zone List 1  
2 = Zone List 2  
3 = Zone List 3 (for Chime by Zone Feature)

9. Enter Zone Type that will STOP the Relay (optional)

(\* for next, # for previous menu)

01 Stop: Zn Typ  
Not Used 00

8. Enter which Partition will STOP this Device (Optional)

(\* for next, # for previous menu)

01 Stop: Part  
Any Partition 0

0 = Any Partition  
1 = Partition 1  
2 = Partition 2

10. This shows summary of new Relay START programming

(\* for next, # for previous menu)

01 A EV ZL ZT  
STT 0 0 0 00

11. This shows summary of new Relay STOP programming

(\* for next, # for previous menu)

01 A EV ZL ZT  
STP - - 0 00

12. Enter next Relay/Device to program or 00 to exit

\*81 Zone Lists for Output Devices

1. Enter Zone List to program (01 to 03) or 00 to Quit

(\* for next, # for previous menu)

Enter Zn List  
(00 = Quit) 01

1 = Zone List 1  
2 = Zone List 2  
3 = Zone List 3 and/or Chime Zones  
4 = Zone List 4 (Common Lobby Zones)

2. Enter Zone Number to add to List (01, 02 etc) or 00 to Quit

(\* for next, # for previous menu)

01 Enter Zn Num.  
(00 = Quit) 00

Multiple Zones can be added  
(example: 01\* 03\* 25\*etc)

3. If deleting a Zone List enter (01 to 03) or 0 to skip

(\* for next, # for previous menu)

01 Del Zn List?  
0 = No 1 = Yes 0

4. If deleting Zone within Zone List enter 1 or 0 to skip

(\* for next, # for previous menu)

01 Delete Zone?  
0 = No 1 = Yes 0

4a. If 1 was entered from previous step enter here then 00

(\* for next, # for previous menu)

01 Zn to Delete?  
(00 = Quit) 00

Multiple Zones can be deleted  
(example: 01\* 03\* 25\*etc)

5. Enter next Zone List to program or 00 to Quit

(\* for next, # for previous menu)

Enter Zn List  
(00 = Quit) 01

# Ademco Vista-20SE/First Alert FA-162C Program Sheet

## \*58 Keyfob Quick Learn Programming (Only with E2 enabled panels)

Learns all 4 Zones at once, panel reserves 8 zones for keyfobs (Zones 49 to 56)

## \*58 Expert Programming (Must use 6139 or 6160 Alpha Keypad here)

1. Press 1 here to allow confirming sensor after serial number input

Set To Confirm?  
0 = No 1 = Yes 0

2. Keypad displays summary of current programming, press D key and do NOT press \*

Zn ZT RC HW:RT  
01 00 A0 EL : 1

3. Enter Template

TEMPLATE ?  
1 - 6 1

For standard 5804 use Template 3 (best choice) then \*  
For 5804Bi-Directional use Template 6 (best choice) then \*

5804 Standard Keyfobs		5804BD/BDV Bi-direction Keyfob	
Template 1	Loop 1 = 23 (No Response) Loop 2 = 22 (Disarm) Loop 3 = 21 (Arm Away) Loop 4 = 23 (No Response)	Template 4	Loop 1 = 23 (No Response) Loop 2 = 23 (No Response) Loop 3 = 21 (Arm Away) Loop 4 = 22 (Disarm)
Template 2	Loop 1 = 23 (No Response) Loop 2 = 22 (Disarm) Loop 3 = 21 (Arm Away) Loop 4 = 20 (Arm Stay)	Template 5	Loop 1 = 23 (No Response) Loop 2 = 20 (Arm Stay) Loop 3 = 21 (Arm Away) Loop 4 = 22 (Disarm)
Template 3	Loop 1 = 07 (24 Hour Audible) Loop 2 = 22 (Disarm) Loop 3 = 21 (Arm Away) Loop 4 = 20 (Arm Stay)	Template 6	Loop 1 = 07 (24 Hour Audible) Loop 2 = 20 (Arm Stay) Loop 3 = 21 (Arm Away) Loop 4 = 22 (Disarm)

4. this is template 3 settings for 5804 (Left) or Template 6 for 5804BD/BDV (Right)

L 01 02 03 04  
T 07 22 21 20

L 01 02 03 04  
T 07 20 21 22

5. Panel searches highest free 4 consecutive Zones then displays 1st of the 4 Zones (in this case 53)

ENTER START ZONE  
00 = QUIT 53

6. Press \* to accept template and learn sensor (Do not worry about Loop numbers)

53 Input S/N: L  
AXXX-XXXX

Press any key on sensor to learn S/N or manually enter serial number

XMIT TO CONFIRM  
PRESS \* TO SKIP

Trip sensor again to confirm (will show matching serial numbers)

7. Panel now searches next highest free 4 consecutive Zones for next keyfob (in this case 49)

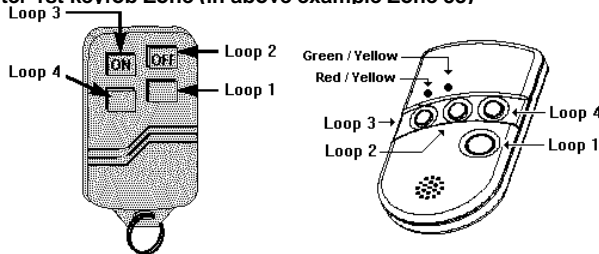
ENTER START ZONE  
00 = QUIT 49

Zn ZT RC HW:RT  
01 00 A0 EL : 1

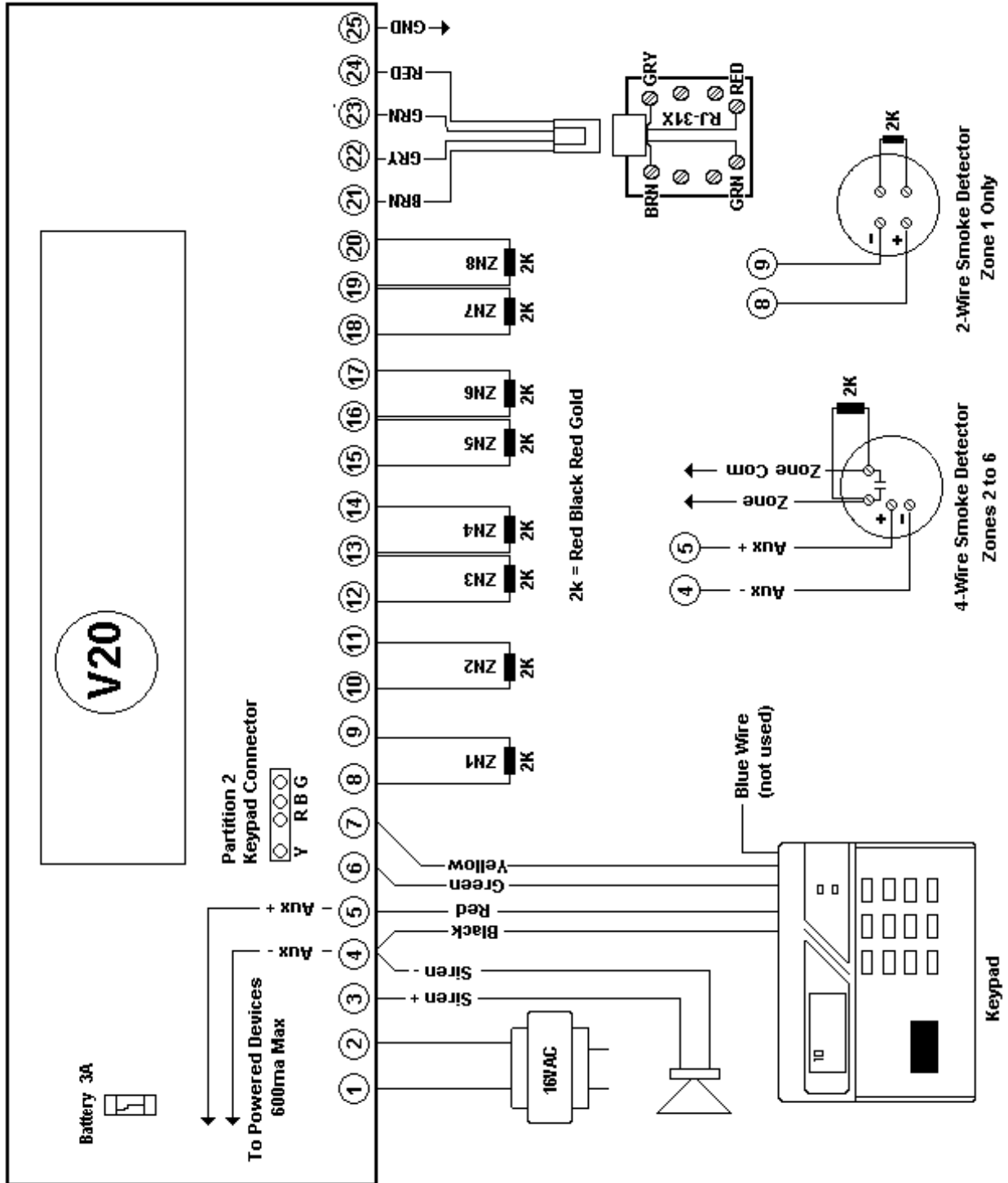
Press \* for next keyfob or 00 for normal \*58 Zone programming

Keyfobs will NOT operate until assigned to a User (see below)

- User Assign
1. Master Code + 8 + User (02 to 33) + # + 4
  2. Enter 1st keyfob Zone (in above example Zone 53)



# Ademco Vista-20SE/First Alert FA-162C Program Sheet





# Monitronics Monitoring and Service: 1-800-447-9239

## Ademco Vista-20SE/First Alert FA-162C Quick Reference Guide

Arm Away	User Code + AWAY key (2) <i>Note: If system shows NOT READY press * to view open zones</i>
Arm Stay	User Code + STAY key (3)
Disarming / Silencing Alarms	User Code + OFF key (1) If turning off an alarm enter User Code + OFF key (1) again to clear display
Instant Doors	User Code + INSTANT (7) to arm system Entry/Exit doors will arm instant and motion detectors will be bypassed (display will show both STAY and INSTANT)
Zone Bypassing	User Code + BYPASS key (6) + zone (01 to 30) <i>Note: Fire/Smoke Detector Zones cannot be bypassed</i>
User Codes	Enter MASTER CODE + CODE key (8) Enter User to program (03 to 15) Enter new 4-digit User Code To delete a code Enter MASTER CODE + CODE key (8) Enter User to delete (03 to 15) then wait 3 seconds (Keypad will beep if command is successful) Enter User to delete (03 to 15) then wait 3 seconds (Keypad will beep if command is successful) Master Code can be changed by entering MASTER CODE + CODE (8) + 02 + New MASTER CODE twice
Door Chimes	Master Code + CHIME (9), if activated the display will show CHIME, repeat to turn Chimes OFF
Trouble Display	NO AC = Loss of AC power to the system LOW BAT = Main panel has a low battery, if LOW BAT appears with a zone number that zone has low battery CHECK = There is a problem with a wireless zone, fire zone or the main systems wireless receiver
Panic Buttons	By holding down a combination of numbers will activate the Police, Fire and Medical Panics Press * and # at same time for Police Panic Press 1 and * at the same time for Fire Panic Press 3 and # at the same time for Medical Panic <i>Note: The Fire and Medical Panics may be reversed or disabled on some systems</i>

***Do not pause more than 2 seconds between each keypad or system will ignore above commands***