

# FBI XL-2S Silver / XL-21 Program Sheet

**Enter Program** Press CODE key + \* + 2468 + 1 (also try 2121)  
**Installer** Code + \* + Installer Code + 1 = Enter Programming  
**Options** Code + \* + Installer Code + 2 = System Log View  
 Code + \* + Installer Code + 3 = Unattended Downloading (Answer download request)  
 Code + \* + Installer Code + 4 = On-Line Download (Send to downloader)  
**Move to location** Press \* + 2 digit location  
**Program location** Press # after each digit and move to next location (Example enter 1#8#0#0# etc)  
**Exit Program** Press STAY  
**Default Panel** Short "EEPROM RESET" pins on panel and power up  
**Hex Program** CODE+1 = A, CODE+2 = B, CODE+3 = C, CODE+4 = D, CODE+5 = E, CODE+6 = F

<b>Report Codes</b>	Zone 1	31	Duress	21 to 29
	Zone 2	32	Keypad Fire Panic	19
	Zone 3	33	Keypad Police Panic	29
	Zone 4	34	Keypad Medical Panic	49
	Zone 5	35	Low Battery	78
	Zone 6	36	Low Battery Restoral	98
	Zone 7	37	AC Failure	79
	Zone 8	38	AC Failure Restoral	99
	Zone 9	39	Fire Trouble	76
	Zone 10	41	Fire Restore	96
	Zone 11	42	Smoke Detector*	16 or 18
	Zone 12	43	Cancel	D1 to D8
	Zone 13	44	Opening	5 + User
	Zone 14	45	Closing	6 + User
	Zone 15	46	Test/Download Complete	EE
	Zone 16	47	Zone Restores	9 + Zone

\*01 Primary Phone (12 Digits)

L1	L2	L3	L4	L5	L6	L7	L8	L9	L10	L11	L12	

A = End of Phone Number      D = TouchTone #  
 B = TouchTone \*                E = \*70C = Disable Call Waiting  
 C = 3 second pause            F = 800

\*02 Secondary Phone (Not Used)

L1	L2	L3	L4	L5	L6	L7	L8	L9	L10	L11	L12	

\*03 Download Phone (Not Used)

L1	L2	L3	L4	L5	L6	L7	L8	L9	L10	L11	L12	

\*04 Dialer Information

1	6	6	1									
L1	L2	L3	L4									

**L1 Dialer Format**

- 0 Pulse Dialing, Standard Format or 4x2
- 1 Touch Tone Dialing, Standard Format or 4x2
- 2 Pulse Dialing, Extended Format
- 3 Touch Tone Dialing, Extended Format
- 4 Pulse Dialing, Partial Extended Format
- 5 Touch Tone Dialing, Partial Extended Format
- 8 No Dialer, Local Only System

**L2 Receiver Type**

- 0 10PPS 1400Hz No Parity
- 1 10PPS 1400Hz Parity
- 2 10PPS 2300 No Parity
- 3 10PPS 2300Hz No Parity
- 4 20PPS 1400Hz No Parity
- 5 20PPS 1400Hz, Parity
- 6 20PPS 2300Hz No Parity
- 7 20PPS 2300Hz Parity
- 8 40PPS 1400Hz No Parity
- A 40PPS 2300Hz No Parity
- B 40PPS 2300Hz Parity

**L3 Message Type**

- 0 3x1, No Bell Lockout
- 2 4x1, No Bell Lockout
- 6 4x2, No Bell Lockout
- 8 3x1, Bell Lockout
- A 4x1, Bell Lockout
- E 4x2, Bell Lockout

**L4 System Options**

- 0 Silent Panic
- 1 Audible Panic
- 2 Silent Panic, Split Reporting
- 3 Audible Panic, Split Reporting
- 4 Silent Panic, 24Hr Test
- 5 Audible Panic, 24Hr Test
- 6 Silent Panic, Split Reporting, 24Hr Test
- 7 Audible Panic, Split Reporting, 24Hr Test
- 8 Silent Panic, Bell Test
- 9 Audible Panic, Bell Test
- A Silent Panic, Split Reporting, Bell Test
- B Audible Panic, Split Reporting, Bell Test
- C Silent Panic, 24Hr Test, Bell Test
- D Audible Panic, 24Hr Test, Bell Test
- E Silent Panic, Split Report, 24Hr Test, Bell Test

# FBI XL-2S Silver / XL-21 Program Sheet

\*05 Keypad Options

| F | 2 | 6 | 0 |  
L1 L2 L3 L4

(if STAY doesn't work panel may be v3 XL-21, program F E 6 0 Instead)

## L1 Keypad Emergency Conditions

- 0 Panics Disabled
- 1 Panic Enabled
- 2 Fire Enabled
- 3 Panic, Fire Enabled
- 4 Medical (Silent) Enabled
- 5 Panic, Medical (Silent) Enabled
- 6 Fire, Medical (Silent) Enabled
- 7 Police, Fire, Medical (Silent) Enabled
- C Medical (Audible) Enabled
- D Panic, Medical (Audible) Enabled
- E Fire, Medical (Audible) Enabled
- F Panic, Fire, Medical (Audible) Enabled

## L2 Misc Options (Standard XL-21 only)

- 0 Panic Input Silent, Auto unbypass
- 1 Keyswitch Input, Auto unbypass
- 2 Panic Input Audible, Auto unbypass
- 4 Panic Input Silent
- 5 Keyswitch Input
- 6 Panic Input Audible
- 8 Panic Input Silent, Auto unbypass, Arm Only User 5
- 9 Keyswitch Input, Auto unbypass, Arm Only User 5
- A Panic Input Audible, Auto unbypass, Arm Only User 5
- C Panic Input Silent, Arm Only User 5
- D Keyswitch Input, Arm Only User 5
- E Panic Input Audible, Arm Only User 5

## L2 Misc Options (XL-21 v3.0 only)

- 0 Panic Input Silent, Instant Mode Disabled
- 1 Zn 7 Keyswitch, Instant Mode Disabled
- 2 Panic Input Audible, Instant Mode Disabled
- 4 Panic Input Silent, Stay+Instant Mode Enabled
- 5 Zn 7 Keyswitch, Stay+Instant Mode Enabled
- 6 Panic Input Audible, Instant+Stay Enabled
- 8 Panic Input Silent, Instant Mode Enabled
- 9 Zn 7 Keyswitch, Instant Mode Enabled
- A Panic Input Audible, Instant Mode Enabled
- C Panic Input Silent Instant & Stay+Instant Enabled
- D Zn 7 Keyswitch, Instant & Stay+Instant Enabled
- E Panic Input Audible, Instant & Stay+Instant Enabled

## L3 Quick Commands

- 0 Quick Commands Disabled
- 1 Quick Force Arm (# 2)
- 2 Quick Arm (# 1)
- 3 Quick Force Arm, Quick Arm
- 4 Reset Enable (\* Key for Smoke Detectors)
- 5 Quick Force Arm, Reset Enable
- 6 Quick Arm, Reset Enable
- 7 Quick Force Arm, Quick Arm, Reset Enable
- 8 Quick Bypass
- 9 Quick Force Arm, Quick Bypass
- A Quick Arm, Quick Bypass
- C Reset Enable, Quick Bypass
- D Quick Force Arm, Reset Enable, Quick Bypass
- E Quick Arm, Reset Enable, Quick Bypass
- F Quick Force Arm, Quick Arm, Reset Enable, Quick Bypass

## L4 Restore Follower/User Download, Test Ringback

- 0 Restore Follows Bell, STAY/INSTANT Keys Enabled
- 1 Restore Follows Loop, STAY/INSTANT Enabled
- 2 Restore Follows Bell, STAY/INSTANT Enabled, User Download Enabled
- 3 Restore Follows Loop, STAY/INSTANT Enabled, User Download Enabled
- 4 Restore Follows Bell, STAY/INSTANT Enabled, CS Test Ringback Silent
- 5 Restore Follows Loop, STAY/INSTANT Enabled, CS Test Ringback Silent
- 6 Restore Follows Bell, STAY/INSTANT Enabled, User Download, CS Test Ringback Silent
- 7 Restore Follows Loop, STAY/INSTANT Enabled, User Download, CS Test Ringback Silent
- 8 Restore Follows Bell, INSTANT Key Disabled
- 9 Restore Follows Loop, INSTANT Key Disabled
- A Restore Follows Bell, User Download, INSTANT Disabled
- B Restore Follows Loop, User Download, INSTANT Disabled
- C Restore Follows Bell, CS Test Ringback Silent, INSTANT Disabled
- D Restore Follows Loop, CS Test Ringback Silent, INSTANT Disabled
- E Restore Follows Bell, User Download, CS Test Ringback Silent, INSTANT Disabled
- F Restore Follows Loop, User Download, CS Test Ringback Silent, INSTANT Disabled

# FBI XL-2S Silver / XL-21 Program Sheet

**\*06 System Timeouts**

| 2 | 4 | 2 | F |  
L1 L2 L3 L4

**L1 Entry Delay 1**

0 1 Second  
1 5 Seconds  
2 10 Seconds  
3 15 Seconds  
4 20 Seconds  
5 25 Seconds  
6 30 Seconds  
7 35 Seconds  
8 40 Seconds  
9 45 Seconds  
A 50 Seconds  
B 55 Seconds  
C 1 Minute  
D 1 Minute 5 Seconds  
E 1 Minute 10 Seconds  
F 3 Minutes

**L2 Exit Delay**

0 1 Second  
1 10 Seconds  
2 20 Seconds  
3 30 Seconds  
4 40 Seconds  
5 50 Seconds  
6 1 Minute  
7 1 Minute 10 Seconds  
8 1 Minute 20 Seconds  
9 1 Minute 30 Seconds  
A 1 Minute 40 Seconds  
B 1 Minute 50 Seconds  
C 2 Minutes  
D 2 Minutes 10 Seconds  
E 2 Minutes 20 Seconds  
F 3 Minutes

**L3 Burg Bell Cutoff**

1 3 Minutes  
2 6 Minutes  
3 9 Minutes  
4 12 Minutes  
5 15 Minutes  
6 18 Minutes  
7 21 Minutes  
8 24 Minutes  
9 27 Minutes  
A 30 Minutes  
B 33 Minutes  
C 36 Minutes  
D 39 Minutes  
E 42 Minutes  
F Infinite

**L4 Fire Bell Cutoff**

1 3 Minutes  
2 6 Minutes  
3 9 Minutes  
4 12 Minutes  
5 15 Minutes  
6 18 Minutes  
7 21 Minutes  
8 24 Minutes  
9 27 Minutes  
A 30 Minutes  
B 33 Minutes  
C 36 Minutes  
D 39 Minutes  
E 42 Minutes  
F Infinite

**\*07 Misc System Options**

| 6 | A | 0 | 0 |  
L1 L2 L3 L4

**L1 Entry Delay 2 (Zones 4 to 6 only)**

0 1 Second  
1 5 Seconds  
2 10 Seconds  
3 15 Seconds  
4 20 Seconds  
5 25 Seconds  
6 30 Seconds  
7 35 Seconds  
8 40 Seconds  
9 45 Seconds  
A 50 Seconds  
B 55 Seconds  
C 1 Minute  
D 1 Minute 5 Seconds  
E 1 Minute 10 Seconds  
F 3 Minutes

**L2 Ring Count**

0 Downloading Disabled  
1 1 Ring to Answer  
2 2 Rings to Answer  
3 3 Rings to Answer  
4 4 Rings to Answer  
5 5 Rings to Answer  
6 6 Rings to Answer  
7 7 Rings to Answer  
8 8 Rings to Answer  
9 9 Rings to Answer  
A 10 Rings to Answer  
B 11 Rings to Answer  
C 12 Rings to Answer

**L3 Test Time Interval/Euro Ring Detect**

0 1 Day (24 Hours)  
1 7 Days (Weekly)  
2 27 Days (Monthly)  
3 60 Days  
4 90 Days  
8 1 Day (24 Hours), Euro Ring Select  
9 7 Days (Weekly), Euro Ring Select  
A 27 Days (Monthly), Euro Ring Select  
B 60 Days, Euro Ring Select  
C 90 Days, Euro Ring Select

**L4 Trigger Types**

0 Smoke Power Output/Reset Enable  
1 Fire Bell ON, Follows Fire Bell Timer  
2 Burg Bell ON, Follows Burg Bell Timer  
3 Line Seizure, Follows Line Seizure Relay  
4 Ready, Follows Ready LED  
5 Armed, Follows Armed LED (Steady States Only)  
6 Exit Time, ON during Exit Time  
7 Entry Time, ON during Entry Time  
8 Fire Only Latch, ON w/Fire Bell, OFF w/Code  
9 Burg Only Latch, ON w/Burg Bell, OFF w/Code  
A Strobe, ON Steady w/Burg, OFF w/Code  
B Panic Alarm, Zone 7 ON w/Alarm, OFF w/Code  
C Shock Reset, \* Activates for 2-6 Sec

## FBI XL-2S Silver / XL-21 Program Sheet

*09 Account 2	 L1 L2 L3 L4	
*09 Account 2	A   A   A   A   L1 L2 L3 L4	(Not programmed)
*10 Zone 1 Programming	?   ?   3   1   L1 L2 L3 L4	(Sends 31)
*11 Zone 2 Programming	?   ?   3   2   L1 L2 L3 L4	(Sends 32)
*12 Zone 3 Programming	?   ?   3   3   L1 L2 L3 L4	(Sends 33)
*13 Zone 4 Programming	?   ?   3   4   L1 L2 L3 L4	(Sends 34)
*14 Zone 5 Programming	?   ?   3   5   L1 L2 L3 L4	(Sends 35)
*15 Zone 6 Programming	?   ?   3   6   L1 L2 L3 L4	(Sends 36, If Smoke use 8416)

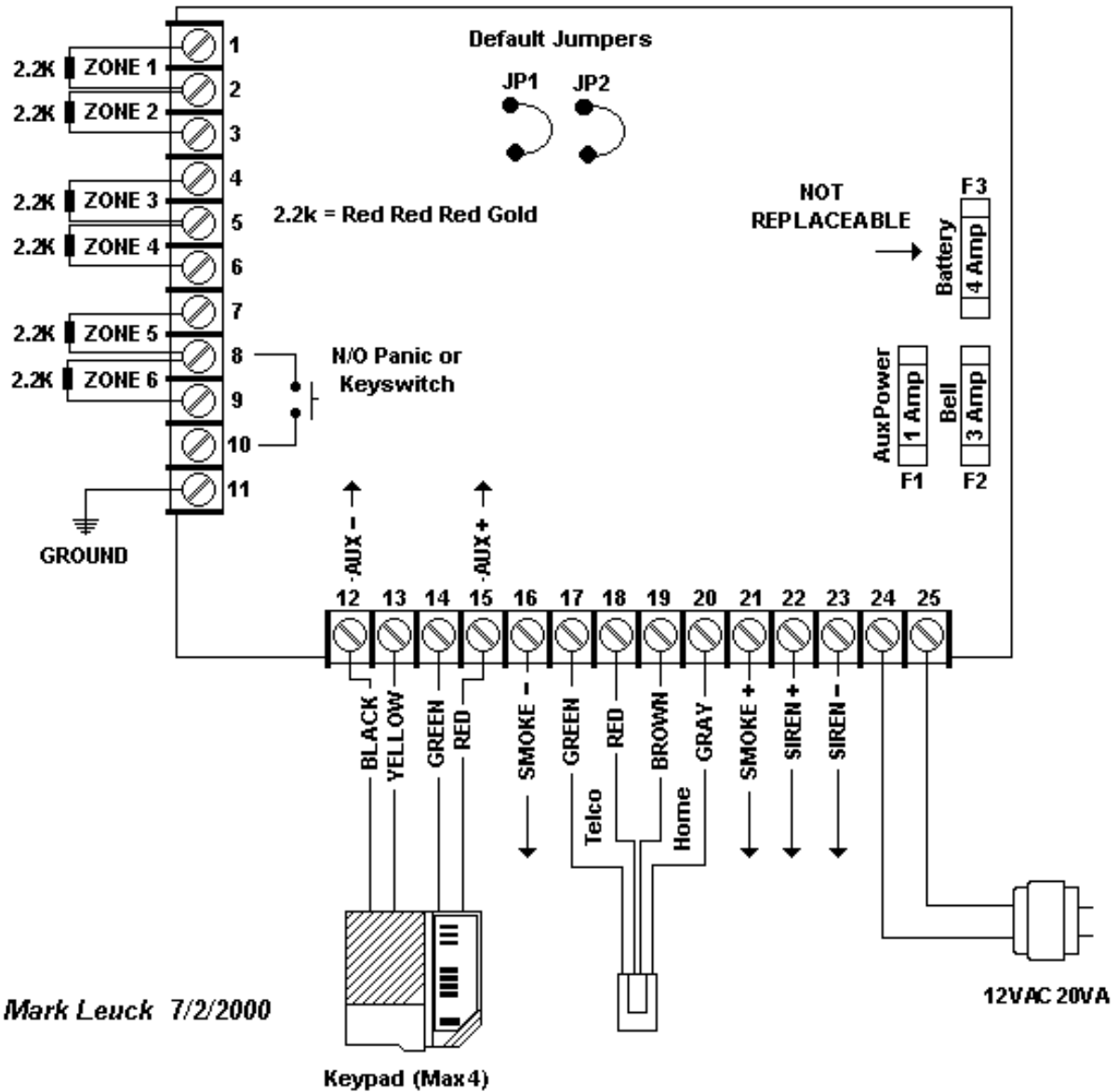
1<sup>st</sup> 2-digits are Zone Type, 2<sup>nd</sup> 2-digits is Report Code

### L1 & L2 Zone Type

10 Perimeter	44 Interior, Chime
11 Perimeter, Restore	45 Interior, Chime, Restore
12 Perimeter	48 Interior, Dial Delay
13 Perimeter, Day, Restore	49 Interior, Restore, Dial Delay
14 Perimeter, Chime	4C Interior, Chime, Dial Delay
15 Perimeter, Chime, Restore	4D Interior, Chime, Restore, Dial Delay
18 Perimeter, Dial Delay	
19 Perimeter, Restore, Dial Delay	<i>24 Hour Zones</i>
1A Perimeter, Day, Dial Delay	81 Alarm Audible
1B Perimeter, Day, Restore, Dial Delay	84 Fire
1C Perimeter, Chime, Dial Delay	89 Alarm Silent
1D Perimeter, Chime, Restore, Dial Delay	8A Trouble, Silent (LED Indicator Only)
20 Delay	91 Alarm Restore (Silent)
21 Delay, Restore	92 Trouble, Audible, Restore
24 Delay, Chime	94 Fire, Restore
25 Delay, Chime, Restore	99 Hold Up, Restore
40 Interior	9A Silent Trouble, Restore
41 Interior, Restore	
41 Interior, Bypass in Stay (Motions)	

*16 Ambush/AC Loss	2   6   7   9   L1 L2 L3 L4	(Ambush = 26. AC Loss = 79)
*17 Police Panic/Low Battery	2   9   7   8   L1 L2 L3 L4	(Panic = 29. Low Battery = 78)
*18 Open/Close/Test	A   A   A   A   L1 L2 L3 L4	(For Opening/Closings use 5 6 A A)
*19 Bypass/Restore/Trouble/Cancel	A   A   7   A   L1 L2 L3 L4	(Fire Trouble sends 7 + Zone)
*20 Keypad Fire/Medical Panics	1   9   4   9   L1 L2 L3 L4	(Fire Panic = 19, Medical Panic = 49)
*00 Installer Code	2   4   6   8   L1 L2 L3 L4	

# FBI XL-2S Silver / XL-21 Program Sheet



# Monitronics Monitoring and Service: 1-800-447-9239

## FBI XL-2S Silver/XL-21 Quick Reference Guide

Arm Away	Enter User Code, ARM light will turn on
Arm Stay	Press STAY + User Code When system is disarmed the motions will return to normal
Arm Instant	Press INSTANT + STAY + User Code All zones will return to normal when system is disarmed
Disarming / Silencing Alarms	Enter User Code If disarming after an alarm enter User Code again to clear any Alarm Displays
Zone Bypassing	Press BYPASS key + User Code + Zone to Bypass (1 to 6) To bypass more zones press BYPASS key then any other zone you wish to bypass Bypassed zones will return to normal when you arm then disarm your system
User Codes	Press CODE + Master Code Enter User to add or change (2 to 5) Enter new 4-digit User Code (keypad will beep indicating you have successfully entered the code) To delete a User Code repeat above steps except press * instead of entering a new User Code  <i>NOTE: The 1<sup>st</sup> code is the Master code, the 6<sup>th</sup> code is a Duress/Hostage code (if programmed)</i>
Reset Smoke Detector	Enter User Code then *. The smoke detector will be reset after a few seconds
Trouble Indicators	if AC/LB light is OFF the AC power has failed if AC/LB light is FLASHING the backup battery is low and needs to be recharged or replaced
Door Chimes	Press # 6 to Enable or Disable
Panic Buttons	Press * and # for Police Panic (Fire and Medical Panics may not be enabled on some systems) Press 1 and 3 for Medical Panic Press 7 and 9 for Fire Panic If keypad has separate Police, Fire and Medical keys press both at same time to use