

FBI XL-2T Turbo Program Sheet

Enter Program Press CODE key + * + 2468 + 1

Options Code + * + Installer Code + 1 = Enter Programming
 Code + * + Installer Code + 2 = Walk Test with Sounder
 Code + * + Installer Code + 3 = Walk Test with Sounder and Bell
 Code + * + Installer Code + 4 = System Log View
 Code + * + Installer Code + 5 = Walk Test Motion
 Code + * + Installer Code + 6 = Not Used
 Code + * + Installer Code + 7 = Default System
 Code + * + Installer Code + 8 = Unattended Download (send to downloader)
 Code + * + Installer Code + 9 = Online Downloading (answer download request)

Move to location Press * + 2 digit location

Program location Press # after each digit and move to next location
Example: To program phone number enter 1#8#0#0# etc

Exit Program Press STAY

Default Panel 1. Short "EEPROM RESET" pins on panel and power up
 OR
 2. Press CODE key + * + 2468 + 1 and hold 1 & 3 at same time

Hex Program CODE+1 = A CODE+2 = B CODE+3 = C CODE+4 = D CODE+5 = E CODE+6 = F

*01 Primary Phone (12 Digits)

L1	L2	L3	L4	L5	L6	L7	L8	L9	L10	L11	L12	

 C = 3 second pause, *70C = Disable Call Waiting

*02 Secondary Phone (Not Used)

L1	L2	L3	L4	L5	L6	L7	L8	L9	L10	L11	L12	

*03 Download Phone (Not Used)

L1	L2	L3	L4	L5	L6	L7	L8	L9	L10	L11	L12	

*04 PBX Prefix

L1	L2	L3	L4

*05 Account 1

L1	L2	L3	L4

*06 Account 2

L1	L2	L3	L4

 (Not programmed)

*07 Dialer 1 System Options

L1	L2	L3	L4

 (Contact ID Reporting)

L1 CS Dialer 1 Formats

- 0 3x1 Standard Pulse
- 1 4x1 Standard Pulse
- 2 3x1 Extended Pulse
- 3 4x1 Extended Pulse
- 4 3x1 Partial Extended Pulse
- 5 4x1 Partial Extended Pulse
- 6 3x2 Pulse
- 7 4x2 Pulse
- 8 FBII Superfast DTMF
- 9 Ademco 4x1 Express DTMF
- A Ademco 4x2 Express DTMF
- E Ademco Contact ID DTMF

L2 CS Receiver 1 Type

- 0 10PPS 1400Hz FBI, Ademco, Silent Knight
- 1 20PPS 1400Hz FBI, Ademco, Radionics
- 2 40PPS 1400Hz FBI
- 4 10PPS 2300Hz FBI, Radionics
- 5 20PPS 2300Hz FBI
- 6 40PPS 2300Hz FBI, Radionics
- 8 10PPS 1400Hz FBI, Radionics Parity
- 9 20PPS 1400Hz FBI Parity
- A 40PPS 1400Hz FBI Parity
- C 10PPS 2300Hz FBI Parity
- D 20PPS 2300Hz FBI Parity
- E 40PPS 2300Hz FBI, Radionics Parity

L3 Dialer Format/CS Report Type

- 0 Pulse Dial, Backup Report
- 1 TouchTone, Backup Report
- 2 European Pulse, Backup Report
- 3 Superfast TouchTone, Backup Report
- 4 Pulse Dial, Dual Report
- 5 TouchTone, Dual Report
- 6 European Dial, Dual Report
- 8 Pulse Dial, Split Report
- 9 TouchTone, Split Report
- A European Pulse Dial, Split Report
- B Superfast TouchTone, Split Report
- C Dialer Disabled
- D Dialer Disabled
- E Dialer Disabled
- F Dialer Disabled

L4 Swinger/AC Freq/Restores

- 0 No Swinger, 60Hz AC, Restore After Bell
- 1 No Swinger, 60Hz AC, Restore Follows Loop
- 2 No Swinger, 50Hz AC, Restore After Bell
- 3 No Swinger, 50Hz AC, Restore Follows Loop
- 4 1 Event Swinger, 60Hz AC, Restore After Bell
- 5 1 Event Swinger, 60Hz AC, Restore Follows Loop
- 6 1 Event Swinger, 50Hz AC, Restore After Bell
- 7 1 Event Swinger, 50Hz AC, Restore Follows Loop
- 8 2 Event Swinger, 60Hz AC, Restore After Bell
- 9 2 Event Swinger, 60Hz AC, Restore Follows Loop
- A 2 Event Swinger, 50Hz AC, Restore After Bell
- B 2 Event Swinger, 50Hz AC, Restore Follows Loop
- C 3 Event Swinger, 60Hz AC, Restore After Bell
- D 3 Event Swinger, 60Hz AC, Restore Follows Loop
- E 3 Event Swinger, 50Hz AC, Restore After Bell
- F 3 Event Swinger, 50Hz AC, Restore Follows Loop

FBI XL-2T Turbo Program Sheet

*08 Dialer 2 System Options

| E | 5 | 6 | 0 |
L1 L2 L3 L4

L1 CS Dialer 2 Formats

- 0 3x1 Standard Pulse
- 1 4x1 Standard Pulse
- 2 3x1 Extended Pulse
- 3 4x1 Extended Pulse
- 4 3x1 Partial Extended Pulse
- 5 4x1 Partial Extended Pulse
- 6 3x2 Pulse
- 7 4x2 Pulse
- 8 FBI Superfast DTMF
- 9 Ademco 4x1 Express DTMF
- A Ademco 4x2 Express DTMF
- E Ademco Contact ID DTMF

L3 Quick Commands/Door Strikes

- 0 All Options Disabled
- 1 Quick Force Arm/Bypass
- 2 Quick Arm
- 3 Quick Force Arm/Bypass, Quick Arm
- 4 User 14 Arm Only
- 5 Quick Force Arm/Bypass, User 14 Arm Only
- 6 Quick Arm, User 14 Arm Only
- 7 Quick Force Arm/Byp, User 14 Arm Only
- 8 All User Door Strike
- 9 Quick Force Arm/Byp, All User Door Strike
- A Quick Arm, All User Door Strike
- B Quick Force Arm/Byp, Quick Arm, All User Door Strike
- C User 14 Arm Only, All User Door Strike
- D Quick Force Arm/Byp, User 14 Arm Only, All User Door Strike
- E Quick Arm, User 14 Arm Only, All Users Door Strike
- F Quick Force Arm/Byp, Quick Arm, User 14 Arm Only All Users Door Strike

*09 Misc Options 1

| 0 | 0 | 1 | 8 |
L1 L2 L3 L4

L1 Group Bypass Zones 5 - 7

- 0 Zone Group Bypassing Disabled
- 1 Zone 5 Group Bypass
- 2 Zone 6 Group Bypass
- 3 Zone 5 & 6 Group Bypass
- 4 Zone 7 Group Bypass
- 5 Zone 5 & 7 Group Bypass
- 6 Zone 6 & 7 Group Bypass
- 7 Zone 5 & 6 & 7 Group Bypass
- 8 Quick Exit Enabled
- 9 Zone 5 Group Bypass, Quick Exit
- A Zone 6 Group Bypass, Quick Exit
- B Zone 5 & 6 Group Bypass, Quick Exit
- C Zone 7 Group Bypass, Quick Exit
- D Zone 5 & 7 Group Bypass, Quick Exit
- E Zone 6 & 7 Group Bypass, Quick Exit
- F Zone 5 & 6 & 7 Group Bypass, Quick Exit

L3 Bypass for Stay/ Keyswitch

- 0 All Options Disabled
- 1 No CS Bypass For Stay
- 2 Auto Stay Keyswitch
- 3 No CS Bypass For Stay, Auto Stay Keyswitch
- 4 Armed Bypass Display
- 5 No CS Bypass For Stay, Armed Bypass Display
- 6 Auto Stay Keyswitch, Armed Bypass Display
- 7 No CS Bypass For Stay, Auto Stay Keyswitch
Armed Bypass Display

L2 CS Receiver Type 2

- 0 10PPS 1400Hz FBI, Ademco, Silent Knight
- 1 20PPS 1400Hz FBI, Ademco, Radionics
- 2 40PPS 1400Hz FBI
- 4 10PPS 2300Hz FBI, Radionics
- 5 20PPS 2300Hz FBI
- 6 40PPS 2300Hz FBI, Radionics
- 8 10PPS 1400Hz FBI, Radionics
- 9 20PPS 1400Hz FBI
- A 40PPS 1400Hz FBI
- C 10PPS 2300Hz FBI
- D 20PPS 2300Hz FBI
- E 40PPS 2300Hz FBI, Radionics

L4 Auto Arming Options

- 0 Auto Arming Disabled
- 1 Auto Arm Away
- 3 Auto Arm Away, Audible Warning
- 5 Auto Arm Instant
- 7 Auto Arm Instant, Audible Warning
- 9 Auto Arm Stay
- B Auto Arm Stay, Audible Warning
- D Auto Arm Instant/Stay
- F Auto Arm Instant/Stay, Audible Warning

L2 Group Bypass Zones 1 - 4

- 0 Zone Group Bypassing Disabled
- 1 Zone 1 Group Bypass
- 2 Zone 2 Group Bypass
- 3 Zone 1 & 2 Group Bypass
- 4 Zone 3 Group Bypass
- 5 Zone 1 & 3 Group Bypass
- 6 Zone 2 & 3 Group Bypass
- 7 Zone 1 & 2 & 3 Group Bypass
- 8 Zone 4 Group Bypass
- 9 Zone 1 & 4 Group Bypass
- A Zone 2 & 4 Group Bypass
- B Zone 1 & 2 & 4 Group Bypass
- C Zone 3 & 4 Group Bypass
- D Zone 1 & 3 & 4 Group Bypass
- E Zone 2 & 3 & 4 Group Bypass
- F Zone 1 & 2 & 3 & 4 Group Bypass

L4 Dial Attempts

- 0 16 Attempts
- 1 1 Attempt
- 2 2 Attempts
- 3 3 Attempts
- 4 4 Attempts
- 5 5 Attempts
- 6 6 Attempts
- 7 7 Attempts
- 8 8 Attempts
- 9 9 Attempts
- A 10 Attempts
- B 11 Attempts
- C 12 Attempts
- D 13 Attempts
- E 14 Attempts
- F 15 Attempts

FBI XL-2T Turbo Program Sheet

***10 Bell Timeouts/CS Time**

| 2 | F | 2 | 6 |
L1 L2 L3 L4

L1 Burglary Timeouts

- 1 3 Minutes
- 2 6 Minutes
- 3 9 Minutes
- 4 12 Minutes
- 5 15 Minutes
- 6 18 Minutes
- 7 21 Minutes
- 8 24 Minutes
- 9 27 Minutes
- A 30 Minutes
- B 33 Minutes
- C 36 Minutes
- D 39 Minutes
- E 42 Minutes
- F No Bell Timeout

L2 Fire Timeouts

- 1 3 Minutes
- 2 6 Minutes
- 3 9 Minutes
- 4 12 Minutes
- 5 15 Minutes
- 6 18 Minutes
- 7 21 Minutes
- 8 24 Minutes
- 9 27 Minutes
- A 30 Minutes
- B 33 Minutes
- C 36 Minutes
- D 39 Minutes
- E 42 Minutes
- F No Bell Timeout

L3 CS Test Time Interval

- 0 Test By Event, 24 Hours
- 1 Test By Event, Weekly
- 2 Test By Event, 27 Days
- 3 Test By Event, 60 Days
- 4 Test By Event, 90 Days
- 5 Test By Time, 24 Hours
- 6 Test By Time, Weekly
- 7 Test By Time, 27 Days
- 8 Test By Time, 60 Days
- 9 Test By Time, 90 Days
- A Test By Event, Test By Time, Weekly
- B Test By Event, Test By Time, 27 Days
- C Test By Event, Test By Time, 60 Days
- D Test By Event, Test By Time, 90 Days
- E Test By Time, 1 Hour
- F Test By Event, 1 Hour

L4 Ring Count, Code to Set Time/Bell Test

- 0 Ring Count 0, Code To Set Time
- 1 Ring Count 5, Code To Set Time
- 2 Ring Count 10, Code To Set Time
- 3 Ring Count 15, Code To Set Time
- 4 Ring Count 0
- 5 Ring Count 5
- 6 Ring Count 10
- 7 Ring Count 15
- 8 Ring Count 0, Code to Set Time, Bell Test on Arm
- 9 Ring Count 5, Code To Set Time, Bell Test on Arm
- A Ring Count 10, Code To Set Time, Bell Test on Arm
- B Ring Count 15, Code To Set Time, Bell Test on Arm
- C Ring Count 0, Bell Test on Arm
- D Ring Count 5, Bell Test on Arm
- E Ring Count 10, Bell Test on Arm
- F Ring Count 15, Bell Test on Arm

***11 E/E & Cross Timeouts**

| 6 | 3 | 3 | 3 |
L1 L2 L3 L4

L1 Exit Delay

- 0 4 Minutes 30 Seconds
- 1 10 Seconds
- 2 20 Seconds
- 3 30 Seconds
- 4 40 Seconds
- 5 50 Seconds
- 6 1 Minute
- 7 1 Minute, 10 Seconds
- 8 1 Minute, 20 Seconds
- 9 1 Minute, 30 Seconds
- A 1 Minute, 40 Seconds
- B 1 Minute, 50 Seconds
- C 2 Minutes
- D 2 Minutes, 10 Seconds
- E 2 Minutes, 20 Seconds
- F 2 Minutes, 30 Seconds

L2 Entry Delay 1

- 0 4 Minutes 30 Seconds
- 1 10 Seconds
- 2 20 Seconds
- 3 30 Seconds
- 4 40 Seconds
- 5 50 Seconds
- 6 1 Minute
- 7 1 Minute, 10 Seconds
- 8 1 Minute, 20 Seconds
- 9 1 Minute, 30 Seconds
- A 1 Minute, 40 Seconds
- B 1 Minute, 50 Seconds
- C 2 Minutes
- D 2 Minutes, 10 Seconds
- E 2 Minutes, 20 Seconds
- F 2 Minutes, 30 Seconds

L3 Entry Delay 2

- 0 4 Minutes 30 Seconds
- 1 10 Seconds
- 2 20 Seconds
- 3 30 Seconds
- 4 40 Seconds
- 5 50 Seconds
- 6 1 Minute
- 7 1 Minute, 10 Seconds
- 8 1 Minute, 20 Seconds
- 9 1 Minute, 30 Seconds
- A 1 Minute, 40 Seconds
- B 1 Minute, 50 Seconds
- C 2 Minutes
- D 2 Minutes, 10 Seconds

L4 Cross Zone Timeout

- 0 15 Seconds
- 1 30 Seconds
- 2 45 Seconds
- 3 1 Minute
- 4 1 Minute, 15 Seconds
- 5 1 Minute, 30 Seconds
- 6 1 Minute, 45 Seconds
- 7 2 Minutes
- 8 2 Minutes, 15 Seconds
- 9 2 Minutes, 30 Seconds
- A 2 Minutes, 45 Seconds
- B 3 Minutes
- C 3 Minutes, 15 Seconds
- D 3 Minutes, 30 Seconds

FBI XL-2T Turbo Program Sheet

***12 Misc Options 2**

| 8 | 3 | D | 9 |
L1 L2 L3 L4

L1 LED Extinguish/KP Tamper, Lockout

- 0 All Options Off
- 1 LED Extinguish
- 2 Keypad P Lockout
- 3 LED Extinguish, KP Lockout
- 4 Stay Dial Delay, Stay Bell Instant
- 5 LED Extinguish, Stay Dial Delay, Stay Bell Instant
- 6 KP Lockout, Stay Dial Delay, Stay Bell Instant
- 7 LED Ext, KP Lockout, Stay Dial Delay, Stay Bell Instant
- 8 All Options Off
- 9 LED Extinguish
- A KP Lockout
- B LED Extinguish, KP Lockout
- C Stay Dialer Delay, Stay Bell Delay
- D LED Extinguish, Stay Dial Delay, Stay Bell Delay
- E KP Lockout, Stay Dial Delay, Stay Bell Delay
- F LED Ext, KP Lockout, Stay Dial Delay, Stay Bell Delay

L2 Siren Driver or Bell Output

- 0 12 Volt Bell Output (Siren Driver Disabled)
- 1 Steady Burg, Steady Fire
- 3 Steady Fire, European Sweep Burg
- 5 Steady Burg, European Sweep Fire
- 7 European Sweep Burg, European Sweep Fire
- B Steady Fire, Sweep Burg
- D Steady Burg, Sweep Fire
- E European Sweep Burg, Sweep Fire
- F Sweep Burg, Sweep Fire

L3 Keypad Conditions, Stay & Stay Instant Arm Enable

- 0 Silent Panic, Silent Aux
- 1 Audible Panic, Silent Aux
- 2 Silent Panic, Audible Aux
- 3 Audible Panic, Audible Aux
- 4 Silent Panic, Silent Aux, Inst Arm
- 5 Audible Panic, Silent Aux, Inst Arm
- 6 Silent Panic, Audible Aux, Inst Arm
- 7 Audible Panic, Audible Aux, Inst Arm
- 8 Silent Panic, Silent Aux, Stay/Inst Arm
- 9 Audible Panic, Silent Aux, Stay/Inst Arm
- A Silent Panic, Audible Aux, Stay/Inst Arm
- B Audible Panic, Audible Aux, Stay/Inst Arm
- C Silent Panic, Silent Aux, Inst Arm, Stay/Inst Arm
- D Audible Panic, Silent Aux, Inst Arm, Stay/Inst Arm
- E Silent Panic, Audible Aux, Inst Arm, Stay/Inst Arm
- F Audible Panic, Audible Aux, Inst Arm, Stay/Inst Arm

L4 Temp Bell, Arm w/Faulted, AC/LB Sounder

- 0 All Options Off
- 1 Temporal Bell
- 2 Armed While Faulted
- 3 Temporal Bell, Armed w/Faulted
- 4 AC/LB Audible
- 5 Temporal Bell, AC/LB Audible
- 6 Armed w/Faulted, AC/LB Audible
- 7 Temporal Bell, Armed w/Faulted, AC/LB Audible
- 8 User Download Enable
- 9 Temporal Bell, User Download Enabled
- A Armed While Faulted, User Download
- B Temporal Bell, Armed w/Faulted, User Download
- C AC/LB Sounder Audible, User Download
- D Temporal Bell, AC/LB Audible, User Download
- E Armed w/Faulted, AC/LB Audible, User Download
- F Temporal Bell, Armed w/Faulted, AC/LB Audible User Download Enable

***13 System Options**

| 0 | X | X | X |
L1 L2 L3 L4

(X = Do not program)

L1 & L2 Dial Tone Wait

- 0 None
- 8 Dial Tone Detect Enabled

L2 L3 and L4 Reserved for Future Use

***14 Triggers 1 & 2**

| 0 | 0 | X | X |
L1 L2 L3 L4

(00=Smoke Reset, X=Don't program)

L1 to L4 Triggers 1 2 3 4 (Non Inverted)

- | | |
|---|---|
| <ul style="list-style-type: none"> 00 Smoke Detector Power 01 Steady follows Burg Bell Timeout 02 Steady follows Fire Bell Timeout 03 2 sec pulse follows Duress Code 04 On w/Keypad Tamper, Off w/code 05 Follows 24 hr Trouble KP Sounder 06 Follows Fire Trouble KP Sounder 07 Follows Day Trouble KP Sounder 08 24 Hr alarm (see botom notes) 09 Keypad Fire (see botom notes) 0A Keypad Medical (see botom note) 0B Keypad Panic (see botom notes) 0C Strobe, follows Arm LED til Disarm 0D Follows AC loss after 15 min delay 0E Follows Low Battery 0F Follows Arming State 10 Follows any Zone Bypassed 11 Follows Entry Time | <ul style="list-style-type: none"> 12 Follows Exit Time 13 Follows Instant Arming state 14 Follows Stay Arming state 15 Follows Ready state 16 5 second pulse of Door Strike Code 17 Follows Communication Failure LED 18 Follows Telephone Line Failure LED 19 Follows Keypad Sounder 1A Ground Start (Trigger 1 only) 1B Glass Break Reset 1C Follows Exit Error 1D Momentary after Auto Test Time 1E Listen In after CS Kissoff 1F Line Seizure 20 2 second Pulse with Door Chime 21 Alarm Restore 22 Fire/Latch, ON w/Fire Bell, OFF w/CS Rest |
|---|---|

(Audible = follows Bell; Silent = 2 second pulse)

FBI XL-2T Turbo Program Sheet

*15 Auto Arm Time | 0 | 0 | 0 | 0 |
L1 L2 L3 L4

L1 & L2 & L3 & L4 Auto Arming Time

L1 & L2 Hour of Day 00 - 23

L3 & L4 Minute within Hour 00 - 59

*16 CS Test Time | 0 | 0 | 0 | 0 |
L1 L2 L3 L4

L1 & L2 & L3 & L4 CS Test Time

L1 & L2 Hour of Day 00 - 23

L3 & L4 Minute within Hour 00 - 59

*17 Zone 1 Programming | ? | ? | ? | ? |
L1 L2 L3 L4

*18 Zone 2 Programming | ? | ? | ? | ? |
L1 L2 L3 L4

*19 Zone 3 Programming | ? | ? | ? | ? |
L1 L2 L3 L4

*20 Zone 4 Programming | ? | ? | ? | ? |
L1 L2 L3 L4

*21 Zone 5 Programming | ? | ? | ? | ? |
L1 L2 L3 L4

*22 Zone 6 Programming | ? | ? | ? | ? |
L1 L2 L3 L4

*23 Zone 7 Programming | ? | ? | ? | ? |
L1 L2 L3 L4

L1 Zone Type Descriptions

- 0 Instant
- 2 Delay E/E
- 3 Delay, Auto Stay Arm
- 4 Interior Follower, Manual Stay Arm
- 5 Interior Follower, Auto & Manual Stay Arm
- 6 Delay E/E, Manual Stay Arm
- 7 Delay E/E, Auto & Manual Stay Arm
- 8 Keyswitch
- 9 24 Hr Trouble
- A 24 Hr Alarm
- E Fire without Verification
- F Fire with Verification

L2 Loop Type/Fast Zone & Entry Timer

- 0 End of Line Resistors, Entry Delay 1
- 1 Normally Open, Entry Delay 1
- 2 Normally Closed, Entry Delay 1
- 4 End of Line Resistors, Fast Zone, Entry Delay 1
- 5 Normally Open, Fast Zone, Entry Delay 1
- 6 Normally Closed, Fast Zone, Entry Delay 1
- 7 Fast Zone
- 8 End of Line Resistors, Entry Delay 2
- 9 Normally Open, Entry Delay 2
- A Normally Closed, Entry Delay 2
- C End of Line Resistors, Fast Zone, Entry Delay 2
- D Normally Open, Fast Zone, Entry Delay 2
- E Normally Closed, Fast Zone, Entry Delay 2

L3 Cross Zone, Bypass & Restore

- 1 Cross Zone
- 2 Bypass
- 3 Cross Zone, Bypass
- 4 Restore
- 5 Cross Zone, Restore
- 6 Bypass, Restore
- 7 Cross Zone, Bypass, Restore

L4 Audible Siren, Silent, Day, Chime Dialer Delay

- 0 Audible Siren (Use for Motions)
- 1 Audible Siren, Day Zone
- 2 Audible Siren, Chime Zone (Use for Door/Windows)
- 3 Audible Siren, Day Zone, Chime Zone
- 4 Silent
- 5 Silent, Day Zone
- 6 Silent, Chime Zone
- 7 Silent, Day Zone, Chime Zone
- 8 Audible Siren, Day Zone, Dialer Delay
- 9 Audible Siren, Day Zone, Chime Zone, Dialer Delay
- A Audible Siren, Chime Zone, Dialer Delay
- B Audible Siren, Day Zone, Chime Zone, Dialer Delay
- C Silent, Dialer Delay
- D Silent, Day Zone, Dialer Delay
- E Silent, Chime Zone, Dialer Delay

FBI XL-2T Turbo Program Sheet

*24 Zone 1 & 2 Report Code	3 1 3 2
	L1 L2 L3 L4
*25 Zone 3 & 4 Report Code	3 3 3 4
	L1 L2 L3 L4
*26 Zone 5 & 6 Report Code	3 5 3 6
	L1 L2 L3 L4
*27 Zone 7 Report Code	3 7 X X
	L1 L2 L3 L4
*28 Ambush/AC Loss Report Code	7 7 1 1
	L1 L2 L3 L4
*29 Police Panic/Low Battery	6 6 1 1
	L1 L2 L3 L4
*30 Open/Close Report Code	A A A A
	L1 L2 L3 L4
*31 Cancel/CS Test Report Codes	1 1 A A
	L1 L2 L3 L4
*32 Bypass/Restore/FireTrouble/Day	A A 1 A
	L1 L2 L3 L4
*33 Keypad Fire/Medical Panics	2 2 0 0
	L1 L2 L3 L4
*34 Download Finished/KP Tamper	1 1 A A
	L1 L2 L3 L4
*35 Recent Close/Exit Alarm/Swinger	A A A A
	L1 L2 L3 L4
*00 Installer Code	2 4 6 8
	L1 L2 L3 L4

FBI XL-2T Turbo Program Sheet

FBI Zone Contact ID Codes (Enter 1st digit of Report Code from below list, 2nd digit is Zone Number)

BURGLARY ZONES

<u>Use</u>	<u>Receiver Output</u>
0	122 Silent Panic
1	123 Audible Panic
2	130 Burglary
3	131 Perimeter
4	132 Interior
5	133 24 Hour Alarm
6	134 Entry/Exit
7	135 Day/Night
8	136 Outdoor
9	137 Tamper
A	140 General Alarm
B	144 Sensor Tamper
C	155 Foil Break
D	156 Day Trouble

FIRE ZONES

<u>Use</u>	<u>Receiver Output</u>
0	110 Fire Alarm
1	111 Smoke
2	112 Combustion
3	113 Water Flow
4	114 Heat Detector
5	115 Pull Station
6	116 Duct
7	117 Flame
8	140 General Alarm
9	150 24 Hour Non-Burg
A	158 High Temperature
B	159 Low Temperature
C	200 Fire Supervisory
D	201 Low H2O Pressure
E	202 Low CO
F	203 Gate Valve Sensor

24 HOUR ZONE ALARM TYPES

<u>Use</u>	<u>Receiver Output</u>
0	100 Medical
1	101 Pendant Transmitter
2	120 Panic Alarm
3	122 Silent Panic
4	123 Audible Panic
5	130 Burglary
6	133 24 Hour Alarm
7	135 Day/Night
8	137 Tamper
9	140 General Alarm
A	150 24 Hour Non-Burg
B	151 Gas Detected
C	152 Refrigeration
D	153 Loss of Heat
E	154 Water Leakage
F	155 Foil Break

24 HOUR ZONE TROUBLE TYPES

<u>Use</u>	<u>Receiver Output</u>
0	100 Medical
1	122 Silent Panic
2	123 Audible Panic
3	137 Tamper
4	150 24 Hour Non-Burg
5	153 Loss of Heat
6	155 Foil Break
7	156 Day Trouble
8	158 High Temperature
9	159 Low Temperature
A	300 System Trouble
B	301 AC Loss
C	302 Low System Battery
D	310 Ground Fault
E	373 Fire Trouble
F	380 Sensor Trouble

FBI System and Panic Contact ID Codes (Enter 1st digit of Report Code from below list, 2nd digit doesn't matter)

Ambush/Panic

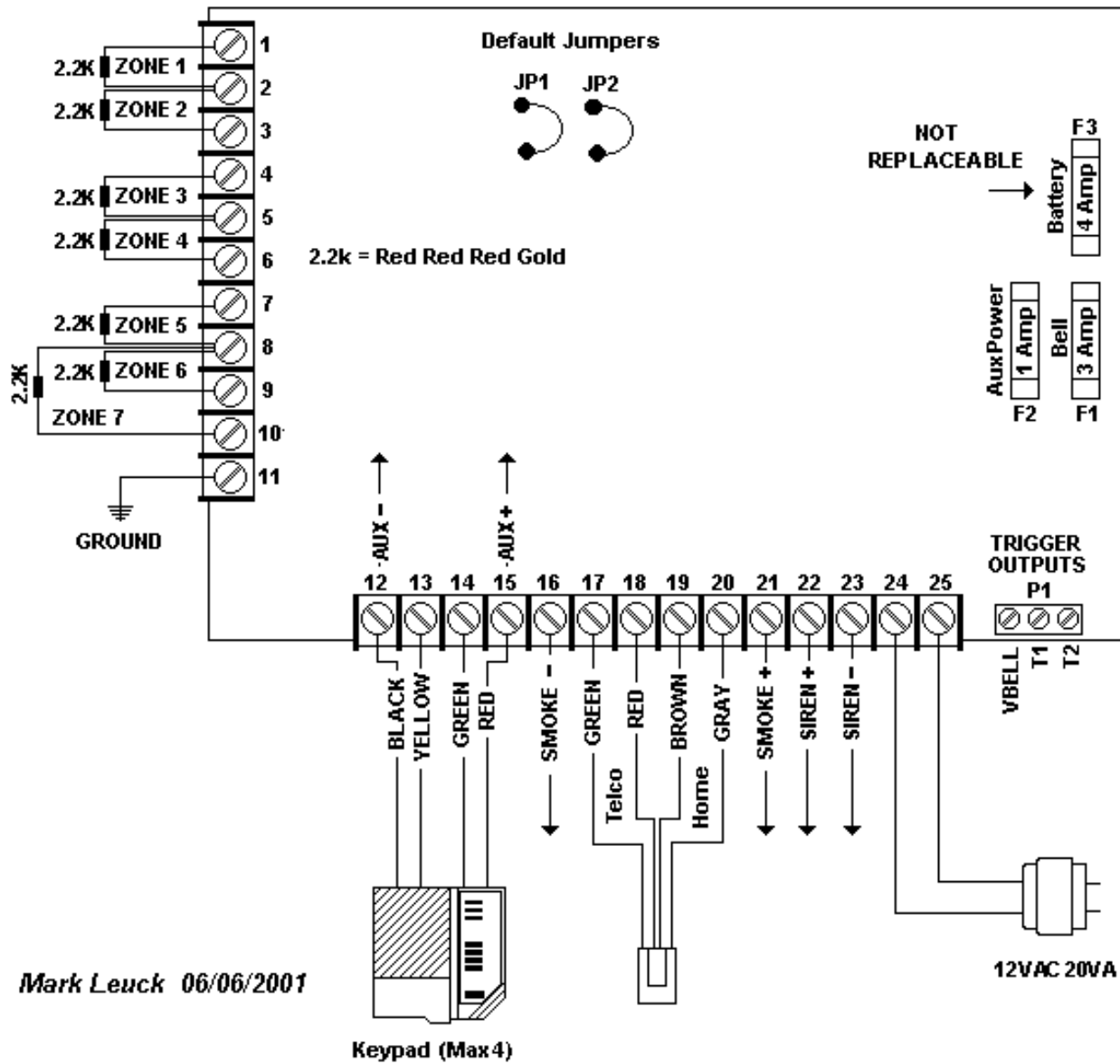
<u>Use</u>	<u>Receiver Output</u>
0	100 Medical Alarm
1	101 Pendant Transmitter
2	110 Fire Alarm
3	111 Smoke
4	112 Combustion
5	117 Flame
6	120 Panic Alarm
7	121 Duress
8	122 Silent Panic
9	123 Audible Panic
A	130 Burglary
B	133 24Hr Alarm
C	140 General Alarm
D	150 24Hr Non Burglary
E*	115 Fire Pull Station

(E is for XL-2T & XL-20 only)

Bypass

<u>Use</u>	<u>Receiver Output</u>
0	570 Zone Bypassed
1	571 Fire Zone Bypassed
2	572 24Hr Zone Bypassed
3	573 Burg Zone Bypassed
4	574 Group Bypassed
(These send automatically)	
137	Keypad Tamper
156	Day Trouble
301	AC Loss
309	Battery Test Fail
373	Fire Trouble
401	Opening/Closing by User
403	Auto Arm
406	Cancel on Open
407	Remote Arm
408	Quick Arm
409	Key Switch Zone
412	Download Code
457	Exit Error
459	Recent Close
575	Swinger Bypass
602	Periodic Test

FBI XL-2T Turbo Program Sheet



Monitronics Monitoring and Service: 1-800-447-9239

FBI XL-2T Turbo Quick Reference Guide

Arm Away	Enter User Code, ARM light will turn on
Arm Stay	Press STAY + User Code When system is disarmed the motions will return to normal
Arm Instant	Press INSTANT key + User Code or INSTANT + STAY + User Code All zones will return to normal when system is disarmed
Disarming / Silencing Alarms	Enter User Code If disarming after an alarm enter User Code again to clear any Alarm Displays
Zone Bypassing	Press BYPASS key + User Code + Zone to Bypass (1 to 7) To bypass more zones press BYPASS key then any other zone you wish to bypass Bypassed zones will return to normal when you arm then disarm your system
User Codes	Press CODE + Master Code Enter User to add or change (02 to 15) Enter new 4-digit User Code (keypad will beep indicating you have successfully entered the code) To delete a User Code repeat above steps except press * instead of entering a new User Code NOTE: User Code 01 is the Master code, User Code 15 is a Duress/Hostage code (if programmed)
Reset Smoke Detector	Enter User Code then *. The smoke detector will reset after a few seconds
Trouble Indicators	if AC/LB light is OFF the AC power has failed if AC/LB light is FLASHING the backup battery is low and needs to recharge or be replaced
Door Chimes	Press # 6 to enable or disable
Panic Buttons	Press * and # for Police Panic Press 1 and 3 for Medical Panic Press 7 and 9 for Fire Panic (Fire and Medical Panics may not be enabled on some systems)