

Ademco Vista-20P/First Alert FA-168C Program Sheet

- Enter Program** 1. 4112 + 8 + 0 + 0 (Display should show 20)
or Power down then back up and press * and # within 1 minute
(You can re-enter programming after exiting within 1 minute by pressing * and #)
- Exit Program** 1. *98 OR 2. *99 if needing to re-enter programming later by Code + 8 + 00
- Move to Location** * + Location
- View Location** # + Location (Display will read off one digit at a time)
- Device Address** 1. All keypads must use address 16 to 23, 1st keypad must use address 16
2. 4204 Zone Expanders use address 12 and 15 (1st must be address 12)
3. 4219/4229 Zone Expander/Relay modules use 07 and 11 (1st must be address 07)
4. Long Range Radio use address 03
5. 4286 Voice Module use address 04 (permanently set)
6. 5800TM Module for Bi-Direction Keyfobs must use address 28 (cut Red W1 jumper)
*Note: Relays and Outputs must then be mapped in *79 menu)*
- Keypad Address** Keypad included with Vista-15P is address 16, unaddressed keypads will show blank display
1. Power keypad down then back up
2. Hold 1 & 3 for 3 seconds, display should show "Addr = XX" (XX = current address)
3. Within 10 seconds enter new address (16 to 23) then * to exit
- Set Time/Date** 1. Master Code + # + 63
2. Press * within 30 seconds
3. Enter 2-digit Hour (00 to 12)
4. Enter 2-digit Minute (00 to 59)
5. Press 1 for PM, press 2 for AM
6. Enter last 2 digits of Year (01 to ??)
7. Enter 2-digit Month
8. Enter 2-digit Day
9. Press * to exit or wait 10 seconds

- | | | |
|-----------------------------------|---------------|---|
| *20 Installer Code | 4 1 1 2 | |
| *21 Quick Arm Enable | 1 | 0 = No
1 = Yes |
| *22 RF Jam Option | 0 | 0 = No RF Jam
1 = RF Jam Enabled |
| *23 Forced Bypass Enable | 0 | 0 = No
1 = Yes |
| *24 RF House Code | 0 0 | 00 = Disabled, 01 to 31 |
| *26 Chime by Zone | 0 | 0 = No
1 = Yes (Program Zones in Zone List 3) |
| *27 X-10 House Code | 0 | 0 = A 1 = B 2 = C 3 = D 4 = E 5 = F
6 = G 7 = H 8 = I 9 = J #10 = K #11 = L
#12 = M #13 = N #14 = O #15 = P |
| *28 4285 Voice Module Access Code | 0 0 | 00 = Disabled
1st digit = 1 to 9
2nd digit = # + 11 = * or # + 12 = # |
| *29 Output to Long Range Radio | 0 | 0 = No
1 = Yes |
| *30 Hardwire Short Detection | 0 | 0 = Disable
1 = Enable |
| *31 Single Alarm Sounding/Zone | 0 | 0 = No
1 = Yes |
| *32 Fire Sounder Timeout | 0 | 0 = Timeout
1 = No Timeout |
| *33 Alarm Bell Timeout | 0 | 0 = None
1 = 4 minutes
2 = 8 minutes
3 = 12 minutes
4 = 16 minutes |
| *34 Exit Delay | 7 0 | 00 to 99 seconds |
| *35 Zone Type 01 Entry Delay | 3 0 | 00 to 99 seconds |

Ademco Vista-20P/First Alert FA-168C Program Sheet

- *36 Zone Type 02 Entry Delay | 4 | 5 | 00 to 99 seconds
- *37 Audible Exit Warning | 1 | 0 = No
1 = Yes
- *38 Confirm Arming Ding | 0 | 0 = No
1 = Yes
2 = Yes RF Only
- *39 Power Up in Previous State | 0 | 0 = No
1 = Yes

*40 PABX Access Code (6 digits) | | | | | | | (If 9 is needed to dial add here)

*41 Primary Phone (20 digits) | | | | | | | | | | | | | | | | | | | | | |
 End Phone with * # + 11 = * # + 12 = # # + 13 = 2.5 second pause

*42 Secondary Phone (20 digits) | | | | | | | | | | | | | | | | | | | | | |

*43 Partition 1 Primary Account | | | | | | | (Last 4 of Account)
 (Hex A = # + 10 B = # + 11 C = # + 12 D = # + 13 E = # + 14 F = # + 15)

*44 Partition 1 Secondary Account | | | | | | | (Do not Program)

*45 Partition 2 Primary Account | | | | | | | (Last 4 of Account)
 (Hex A = # + 10 B = # + 11 C = # + 12 D = # + 13 E = # + 14 F = # + 15)

*46 Partition 2 Secondary Account | | | | | | | (Do not Program)

*47 Phone System Select | 1 | 0 = Pulse Dial
1 = DTMF Dial
2 = Pulse Dial, CS on Watts Line
3 = DTMF Dial, CS on Watts Line

*48 Report Format | 7 | Primary 0 = 3/1, 4/1 Ademco L/S Standard
| 7 | Secondary 1 = 3/1, 4/1 Radionics Standard
2 = 4/2 Ademco L/S Standard
3 = 4/2 Radionics Standard
6 = 4/2 Ademco Express
7 = Contact ID
8 = 3/1, 4/1 Ademco L/S Expanded
9 = 3/1, 4/1 Radionics Expanded

- *49 Split/Dual Reporting | 0 |
- | <u>To Primary Phone</u> | <u>To Secondary Phone</u> |
|---|---------------------------|
| 0 = All Reports | Backup Only |
| 1 = Alarms, Restore, Cancel | All Other Reports |
| 2 = All Reports except Open/Close, Test | Open/Close, Test |
| 3 = Alarms, Restore, Cancel | All Reports |
| 4 = All Reports except Open/Close, Test | All Reports |
| 5 = All Reports (Dual Reporting) | All Reports |
| (For pager programming go to *160 - *171) | |

*50 15 Second Dial Delay | 0 | 0 = No Delay
1 = Yes

*53 Sescoa/Radionics | 0 | 0 = Radionics
1 = Sescoa
0 = All Others

*54 Dynamic Signaling Delay | 0 | 0 = Delay from 0 to 225 seconds
1 = 15 seconds
2 = 30 seconds
3 = 45 seconds
4 = 60 seconds
5 = 75 seconds

*55 Dynamic Signaling Priority | 0 | 0 = Primary Dialer First
1 = Long Range Radio First

Ademco Vista-20P/First Alert FA-168C Program Sheet

*56 Zone Programming (Must use 6139 or 6160 Alpha Keypad here)

1. Press 1 here to allow confirming sensor after serial number input

Set To Confirm? 0 = No 1 = Yes 0

2. Enter Zone to program (01 to 99)

(* for next, # for previous menu)

Enter Zn Num. (00 = Quit) 10

This example shows Zone 10

Hardwire Sensors	Zones 01 to 06	
2-wire Smokes	Zone 01 only	
4-wire Smokes	Zones 02 to 06	
4219/4229 Expander	Zones 10 to 17	
Keyfobs	Zones 49 to 56	
Wireless	Zones 9 to 35	(Depends on receiver capacity)
Duress	Zone 92	
Fire Panic	Zone 95	
Medical Panic	Zone 96	
Police Panic	Zone 99	

3. This shows summary of current Zone programming

(* for next, # for previous menu)

Zn ZT RC In: L 10 00 A0 RF: --

4. Enter Zone Type

(* for next, # for previous menu)

10 Zone Type Disabled 00

00 = Zone Disabled/Deleted	12 = Monitor Zone (non burg)
01 = Delay Zone	14 = 24 Hr Carbon Monoxide
02 = Secondary Delay Zone	16 = 24 Hr Fire w/ Verification
03 = Perimeter/Instant	20 = Arm-Stay (RF only)
04 = Interior Follower/Motions	21 = Arm-Away (RF only)
05 = Trouble by Day/Alarm by Night	22 = Disarm (RF only)
06 = 24 Hr Silent/Holdup	23 = No Alarm Response
07 = 24 Hr Police Panic	24 = Silent Burglary
08 = 24 Hr Aux/Medical	77 = Keyswitch Zone
09 = 24 Hr Supervised Fire	90 to 93 = Configurable
10 = Interior with Delay	(see locations 182 - 185)

To delete Zone enter 00
then * until "Delete Sensor"

Keyfobs will NOT operate until assigned to a User (see User Code Programming)

User Assign

1. Master Code + 8 + existing User (02 to 33) + # + 4
2. Enter 1st keyfob Zone (Zone 49 or 53)
(This assigns keyfob to a User Number, not a User Code)

5. Partition

(* for next, # for previous menu)

10 Partition 1

1 = Partition 1
2 = Partition 2
3 = Common Partition

6. Enter Report Code

(* for next, # for previous menu)

10 Report Code 1st 10 2nd 00 A0

(10 in first section gives report of A0)

6a. Enter type of Hardwire Zone (appears if Hardwire Zone)

(* for next, # for previous menu)

02 Hardwire Type EOL 0

0 = EOL Resistors
1 = Normally Closed
2 = Normally Open

6b. Enter Response if Hardwired Zone (* for next, # for previous menu)

10 Res Time 1

0 = 10msec
1 = 350msec (Default)
2 = 700msec
3 = 1.2 seconds

Hardwire Zones advance to step 10, Wireless Zones continue with step 7

7. Enter type of Sensor

(* for next, # for previous menu)

10 Input Type RF Trans. 3

2 = Auxiliary Wired (Expander)
3 = Supervised RF (Doors, Motions, Smokes)
4 = Un-Supervised RF (some Panics)
5 = RF Button Type RF (Keyfobs/Panics)

Ademco Vista-20P/First Alert FA-168C Program Sheet

8. Serial Number Programming

(* for next, # for previous menu)

Press 1 then enter serial number or trip sensor twice, Loop number will also be learned

10 Input S/N: L
XXXX-XXXX

This shows ready to learn
Serial and Loop number is manually entered here
or learned by tripping twice (keypad will beep)
(Serial number sticker is on sensor)

10 Input S/N: L
A884-3345 2

9. If "Set to Confirm" was selected while first entering *56 this will appear

XMIT TO CONFIRM
PRESS * TO SKIP

Trip sensor again to confirm

Keyd A055-4557 1
Rcvd A055-5433 1

If incorrect serial number was learned this will appear
(This can be used to find a serial number if sticker was removed)

10. This shows summary of new sensor programming (* for next, # for previous menu)

Zn ZT RC In: L
10 03 A0 RF: 1s

11. Press 0 for next sensor or 1 to enter Alpha descriptions

Program Alpha?
0 = No 1 = Yes 0

12. Enter next sensor or 00 to exit

Enter Zn Num.
(00 = Quit) 10

*57 Function Key Programming

(if 6139, 6150 or 6160 Alpha Keypad is used)

1. Press Function Key to program

(A = Top to D = Bottom Function Key)

Press Key to Pgm
0 = Quit 0

5. Partition

(* for next, # for previous menu)

Partition
1

1 = Partition 1
2 = Partition 2
3 = Common Partition

2. Display shows Function Key chosen

(* for next, # for previous menu)

Press Key to Pgm
Function Key A

3. Choose Function for this Key

(* for next, # for previous menu)

Key A Func
Arm Away 03

00 = A Zone 95 B = Zone 99 C = Zone 96 D = Single Button Page
01 = Single Button Page (sends 999-9999 message to Pager)
02 = Display Time
03 = Arm Away
04 = Arm Stay
05 = Arm Night/Stay (any Zone in User List 3)
06 = Step Arming (Stay then Night/Stay then Away)
07 = Device A Activation (Type 66 Function in *80 menu)
08 = Communication Test
09 = Macro Key 1 (Activated by User Code + # + 66)
10 = Macro Key 2 (Activated by User Code + # + 66)
11 = Macro Key 3 (Activated by User Code + # + 66)
12 = Macro Key 4 (Activated by User Code + # + 66)

4. Enter next Function Key or 0 to exit

Press Key to Pgm
Function Key B

Ademco Vista-20P/First Alert FA-168C Program Sheet

*58 Expert Programming (faster) (Must use 6139 or 6160 Alpha Keypad here)

1. Press 1 here to allow confirming sensor after serial number input

```

Set To Confirm?
0 = No 1 = Yes 0
    
```

2. Enter Zone to program (01 to 99) then *

```

Zn ZT RC HW:RT
01 00 A0 EL : 1
    
```

3. Enter Zone Type

```

Zn ZT RC In: L
11 01 - - : -
    
```

(Display moves to Report Code, # starts over)

To delete Zone enter 00 then * until "Delete Sensor"

- | | |
|------------------------------------|---------------------------------|
| 00 = Zone Disabled/Deleted | 12 = Monitor Zone (non burg) |
| 01 = Delay Zone | 14 = 24 Hr Carbon Monoxide |
| 02 = Secondary Delay Zone | 16 = 24 Hr Fire w/ Verification |
| 03 = Perimeter/Instant | 20 = Arm-Stay (RF only) |
| 04 = Interior Follower/Motions | 21 = Arm-Away (RF only) |
| 05 = Trouble by Day/Alarm by Night | 22 = Disarm (RF only) |
| 06 = 24 Hr Silent/Holdup | 23 = No Alarm Response |
| 07 = 24 Hr Police Panic | 24 = Silent Burglary |
| 08 = 24 Hr Aux/Medical | 77 = Keyswitch Zone |
| 09 = 24 Hr Supervised Fire | 90 to 93 = Configurable |
| 10 = Interior with Delay | (see locations 182 - 185) |

4. Display moves to Report Code, if needed enter 10

(Display moves to Sensor Type, # starts over)

```

Zn ZT RC In: L
11 01 10 RF: 1
    
```

A key moves left through fields if needed
 B key moves right through fields if needed
 C key copies previous Zone attributes

Hardwired Zones automatically skip to step 9, Wireless Zones continue with step 5

5. Enter Wireless sensor type then *

```

Zn ZT RC In: L
11 01 10 RF: 1
    
```

- 3 = Supervised RF (Doors, Motions, Smokes)
- 4 = Un-Supervised RF (some Panics)
- 5 = RF Button Type RF (Keyfobs/Panics)

6. If Wireless enter Serial Number or trip sensor twice

(Keypad will beep twice as Sensor learns)

```

11 Input S/N: L
   AXXX-XXXX
    
```

```

11 Input S/N: L
   A884-3345 2
    
```

7. Enter Loop only if manually entering Serial Number

(* for next, # for previous menu)

```

Zn ZT RC In: L
11 01 10 RF: 1
    
```

8. If "Set to Confirm" was selected while first entering *58 this will appear

```

XMIT TO CONFIRM
PRESS * TO SKIP
    
```

Trip sensor again to confirm

```

Keyd A884-3345 1
Rcvd A884-3345 1
    
```

This shows panel and sensor serials match

9. Enter next sensor or 00 to exit

```

Zn ZT RC In: L
12 00 A0 RF: 1
    
```

Ademco Vista-20P/First Alert FA-168C Program Sheet

*58 Keyfob Quick Learn Programming

Learns all 4 Zones at once, panel reserves 8 zones for keyfobs (Zones 49 to 56)

*58 Expert Programming (Must use 6139 or 6160 Alpha Keypad here)

1. Press 1 here to allow confirming sensor after serial number input

```
Set To Confirm?
0 = No  1 = Yes  0
```

2. Keypad displays summary of current programming, press D key and do NOT press *

```
Zn ZT RC HW:RT
01 00 A0 EL : 1
```

3. Enter Template

```
TEMPLATE ?
1 - 6      1
```

For standard 5804 use Template 3 (best choice) then *
For 5804Bi-Directional use Template 6 (best choice) then *

5804 Standard Keyfobs		5804BD/BDV Bi-direction Keyfob	
Template 1	Loop 1 = 23 (No Response) Loop 2 = 22 (Disarm) Loop 3 = 21 (Arm Away) Loop 4 = 23 (No Response)	Template 4	Loop 1 = 23 (No Response) Loop 2 = 23 (No Response) Loop 3 = 21 (Arm Away) Loop 4 = 22 (Disarm)
Template 2	Loop 1 = 23 (No Response) Loop 2 = 22 (Disarm) Loop 3 = 21 (Arm Away) Loop 4 = 20 (Arm Stay)	Template 5	Loop 1 = 23 (No Response) Loop 2 = 20 (Arm Stay) Loop 3 = 21 (Arm Away) Loop 4 = 22 (Disarm)
Template 3	Loop 1 = 07 (24 Hour Audible) Loop 2 = 22 (Disarm) Loop 3 = 21 (Arm Away) Loop 4 = 20 (Arm Stay)	Template 6	Loop 1 = 07 (24 Hour Audible) Loop 2 = 20 (Arm Stay) Loop 3 = 21 (Arm Away) Loop 4 = 22 (Disarm)

4. this is template 3 settings for 5804 (Left) or Template 6 for 5804BD/BDV (Right)

```
L 01 02 03 04
T 07 22 21 20
```

```
L 01 02 03 04
T 07 20 21 22
```

5. Partition

```
Partition
1
```

1 = Partition 1
2 = Partition 2
3 = Common Partition

(* for next, # for previous menu)

6. Panel searches highest free 4 consecutive Zones then displays 1st of the 4 Zones (in this case 53)

```
ENTER START ZONE
00 = QUIT 53
```

7. Press * to accept template and learn sensor (Do not worry about Loop numbers)

```
53 Input S/N: L
  AXXX-XXXX
```

Press any key on sensor to learn or manually enter serial number

```
XMIT TO CONFIRM
PRESS * TO SKIP
```

Trip sensor again to confirm (will show matching serial numbers)

8. Panel now searches next highest free 4 consecutive Zones for next keyfob (in this case 49)

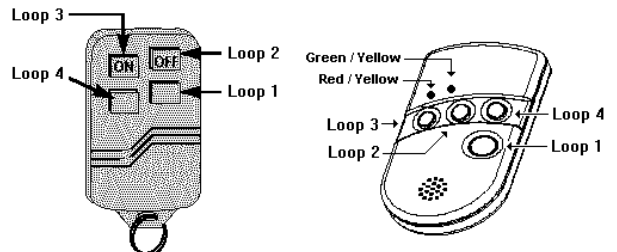
```
ENTER START ZONE
00 = QUIT 49
```

```
Zn ZT RC HW:RT
01 00 A0 EL : 1
```

Press * for next keyfob or 00 for normal *58 Zone programming

Keyfobs will **NOT** operate until assigned to a User (see below)

- User Assign
1. Master Code + 8 + User (02 to 33) + # + 4
 2. Enter 1st keyfob Zone (in above example Zone 53)



Ademco Vista-20P/First Alert FA-168C Program Sheet

- | | | |
|---|------------------------|--|
| *59 Exit Alarm Report Code | 0 | |
| *60 Trouble Report Code | 1 0 | |
| *61 Bypass Report Code | 0 0 | |
| *62 AC Loss Report Code | 1 0 | |
| *63 Low Bat Report Code | 1 0 | |
| *64 Test Report Code | 0 0 | |
| *65 Open Report Code | 0 | |
| *66 Away/Stay Report Code | 0 0 | |
| *67 RF Xmtr Low Bat Report Code | 0 0 | |
| *68 Cancel Report Code | 1 0 | |
| *70 Alarm Restore Report Code | 0 | |
| *71 Trouble Restore Report Code | 0 0 | |
| *72 Bypass Restore Report Code | 0 0 | |
| *73 AC Restore Report Code | 0 0 | |
| *74 Low Bat Restore Report Code | 0 0 | |
| *75 RF Low Bat Restore Report Code | 0 0 | |
| *76 Test Restore Report Code | 0 0 | |
| *77 Daylight Savings Start/End Month | 4 10 | 0 = Disabled
1 = January to 12 = December |
| *78 Daylight Savings Start/End Weekend | 1 Start
 5 End | |
| *79 Output Relays (4204/4219 Output Mapping) | | |
| *80 Output Device Programming | | |
| *81 Zone Lists for Output Devices | | |
| *82 Custom Alpha Editing | | |
| *84 Auto Stay Arming | 0 | 0 = No
1 = Yes, Partition 1 only |
| *85 Cross Zone Timer | 0 | 0 = 15 sec 9 = 5 min
1 = 30 sec # + 10 = 6 min
3 = 60 sec # + 11 = 7 min
4 = 90 sec # + 12 = 8 min
5 = 2 min # + 13 = 10 min
6 = 2 1/2 min # + 14 = 12 min
7 = 3 min # + 15 = 15 min
8 = 4 min |
| *86 Cancel Verify | 0 | 0 = No
1 = Yes |
| *87 Misc Fault Delay Time | 0 | 0 = 15 sec 9 = 5 min
1 = 30 sec # + 10 = 6 min
3 = 60 sec # + 11 = 7 min
4 = 90 sec # + 12 = 8 min
5 = 2 min # + 13 = 10 min
6 = 2 1/2 min # + 14 = 12 min
7 = 3 min # + 15 = 15 min
8 = 4 min |
| *89 Event Log Full Report Code | 0 | 0 = No Report
1 = to F = Report |
| *90 Event Logging
(Add together if needed) | F | 0 = No Event Logging
1 = Log Alarm/Alarm Restore
2 = Log Trouble/Trouble Restore
4 = Log Bypass/Bypass Restore
8 = Log Open/Close
F = Log All |

Ademco Vista-20P/First Alert FA-168C Program Sheet

- | | | |
|--|---------|--|
| *91 Option Selection | 0 | 0 = None
4 = AAV 2-Way Enable
8 = Enable Exit Delay Restart
+ 12 = AAV + Exit Delay Restart |
| *92 Phone Monitor Enable
(Panel MUST be properly grounded to work!) | 0 0 | 1st Digit
0 = Disabled
1 to 15 = 1 to 15 min before Alarm

2nd Digit
0 = Keypad Display on Phone Fault
1 = Keypad Display + Sounder
2 = Keypad Display/Sounder/
Program Output Start |
| *93 Reports per Armed Period | 2 | 0 = Swinger Disabled
1 = 1 Report
2 = 2 Reports |

*94 Download Phone (20 digits)	1 8 0 0 6 8 2 1 6 9 0
--------------------------------	---

*95 Ring Count	# 15	0 to #15 #15 = Answer Machine Defeat
----------------	------	--------------------------------------

*96 Reinitialize Download (No Value needed, keypad will just beep)

- *97 Default Panel (No Value needed, keypad will beep and default panel)
 - *98 Exits Program Mode (Will not allow re-entry with Installer Code + 8 + 0 + 0)
 - *99 Exits Program Mode (Will allow re-entry with Code + 8 + 0 + 0)
- Pager Information
1. Enter Pager in *160
 2. Enter Pager delay in *172 (Leave at 3 minutes)
 3. If needed disable Pager O/C reports - Master Code + 8 + User + #5 + 0 (by default paging is enabled)
 4. If needed enable "D" Key for 1-button page in *57
 5. If sending Zone Alarms add Zones 01 to 99) to Zone List 9 in *81

*160 Pager 1 Phone (20 digits)	
End Phone with *	# + 11 = * # + 12 = # # + 13 = 2.5 second pause

*161 Pager 1 Characteristics (16 digits)	
End Phone with *	# + 11 = * # + 12 = # # + 13 = 2.5 second pause

*162 Pager 1 Reports	0	0 = No Reports Sent 1 = Open/Close All Users 4 = All Alarms & Troubles 5 = Alarms/Troubles/Open/Close # + 12 = Alarms/Troubles in Zone List 9 # + 13 = Alarms/Troubles in Zone List 9 Open/Close for All Users
----------------------	---	--

*163 Pager 2 Phone (20 digits)	
End Phone with *	# + 11 = * # + 12 = # # + 13 = 2.5 second pause

*164 Pager 2 Characteristics (16 digits)	
End Phone with *	# + 11 = * # + 12 = # # + 13 = 2.5 second pause

*165 Pager 2 Reports	0	0 = No Reports Sent 1 = Open/Close All Users 4 = All Alarms & Troubles 5 = Alarms/Troubles/Open/Close # + 12 = Alarms/Troubles in Zone List 10 # + 13 = Alarms/Troubles in Zone List 10 Open/Close for All Users
----------------------	---	--

*166 Pager 3 Phone (20 digits)	
End Phone with *	# + 11 = * # + 12 = # # + 13 = 2.5 second pause

*167 Pager 3 Characteristics (16 digits)	
End Phone with *	# + 11 = * # + 12 = # # + 13 = 2.5 second pause

*168 Pager 3 Reports | 0 |

*169 Pager 4 Phone (20 digits)	
End Phone with *	# + 11 = * # + 12 = # # + 13 = 2.5 second pause

Ademco Vista-20P/First Alert FA-168C Program Sheet

- | | | |
|--|-------|---|
| *170 Pager 4 Characteristics (16 digits)
End Phone with * | | # + 11 = * # + 12 = # # + 13 = 2.5 second pause |
| *171 Pager 4 Reports | 0 | |
| *172 Pager Delay Option for Alarms | 0 | 0 = None
1 = 1 minute
2 = 2 minutes
3 = 3 minutes |
| *174 Smoke Detector Clean Me Option | 0 | 0 = Disabled
1 = Enabled |
| *177 Device Duration 1, 2
(Outputs/Relays) | 0 | 0 = 15 sec 9 = 5 min
1 = 30 sec # + 10 = 6 min
3 = 60 sec # + 11 = 7 min
4 = 90 sec # + 12 = 8 min
5 = 2 min # + 13 = 10 min
6 = 2 1/2 min # + 14 = 12 min
7 = 3 min # + 15 = 15 min
8 = 4 min |
| *181 50/60 Hz AC Operation | 0 | 0 = 60 Hz
1 = 50 Hz |
| *182 Configurable Zone Type 90 | | |
| *183 Zone Type 90 Report Code | 0 0 0 | Do not use |
| *184 Configurable Zone Type 91 | | |
| *185 Zone Type 91 Report Code | 0 0 0 | Do not use |
| *190 Keypad Address 17 | 0 0 | 1st Digit
0 = Keypad Disabled
1 = Partition 1
2 = Partition 2
3 = Common Partition |
| *191 Keypad Address 18 | 0 0 | |
| *192 Keypad Address 19 | 0 0 | |
| *193 Keypad Address 20 | 0 0 | 2nd Digit
0 = No Sound Suppression
1 = Suppress Arming & E/E Beeps
2 = Suppress Chime Beeps only
3 = Suppress Arming & E/E Beeps
and Chime Beeps |
| *194 Keypad Address 21 | 0 0 | |
| *195 Keypad Address 22 | 0 0 | |
| *196 Keypad Address 23 | 0 0 | |
| *197 Exit Time Display Interval | 2 | 0 = No Display
1 to 5 = Seconds between Updates |
| *198 Display Partition Number
(Displays in Upper Left Corner) | 0 | 0 = Yes
1 = No |
| *199 ECP Fail Display (Bus Failures)
(if 0 will display 1 + Device Address) | 0 | 0 = 3-Digit Display
1 = 2-Digit Fixed Display "91" |

Output Programming

*79 Output Relay Mapping (4204/4219 Expanders)

1. Enter Output to map

(* for next, 00 to quit)

Enter Output No. (00 = Quit) 01

01 to 08

2. Enter Output type

(* for next, # for previous)

01 Output Type Delete 0

0 = Delete a mapped Relay
1 = Relay on 4204/4229 Module
2 = Powerline Carrier Device)

3. Enter Module Address

(* for next, # for previous)

01 Module Addr 07 - 15 00

07 = 1st 4229 Expander (with Zones 09 to 16)
08 = 2nd 4229 Expander (with Zones 17 to 24)
12 = 1st 4205 Relay Module
13 = 2nd 4205 Relay Module

Ademco Vista-20P/First Alert FA-168C Program Sheet

4. Enter physical position of Relay

(* for next, # for previous)

01 Rly Position	1 - 4	1
------------------------	-------	---

0 = Delete a mapped Relay

5. Enter next Output to map or 00 to quit

Enter Output No.	(00 = Quit)	02
-------------------------	-------------	----

*80 Output Device Programming

1. Enter Output Function Number (Output number mapped in *79)

(* for next, 00 to exit)

Output Funct #	(00 = Quit)	01
-----------------------	-------------	----

01 to 40

2. This shows current Output programming

(* for next, # for previous)

01 A E P Trig	?00 0 0 - ZL=00
----------------------	-----------------

3. Enter how Output will be activated

(* for next, # for previous)

01 Activated By:	Delete	0
-------------------------	--------	---

0 = Delete Output Programming

1 = Zone List (example: Fault by a Zone)

2 = Zone Type (example: Fault by a Delay Zone)

3 = Zone Number (example: Fault by Zone 12)

3a. If Zone List selected enter here

(* for next, # for previous)

01 Zn List	None	0
-------------------	------	---

- List 01 = General Purpose
- List 02 = General Purpose
- List 03 = Chime by Zone
- List 04 = Cross Zones
- List 05 = Night/Stay (for Night/Stay Arming)
- List 06
- List 07 = General Purpose
- List 08 = General Purpose
- List 09 = Zones that activate Pager 1
- List 10 = Zones that activate Pager 2
- List 11 = Zones that activate Pager 3
- List 12 = Zones that activate Pager 4

3b. If Zone Type selected enter here then 00 for next display

(* for next, # for previous)

01 Enter Zn Type	Zone Disabled	00
-------------------------	---------------	----

- | | |
|---|--|
| <ul style="list-style-type: none"> 00 = Not Used (Exit) 01 = Entry/Exit 1 02 = Entry/Exit 2 03 = Perimeter 04 = Interior/Motion 05 = Trouble Day/Alarm Night 06 = 24 Hour Silent 07 = 24 Hour Audible 08 = 24 Hour Auxiliary 09 = Fire 10 = Interior with Delay 12 = Monitor Zone 16 = Fire w/Verification 20 = Arm Stay 21 = Arm Away 22 = Disarm 23 = No Alarm Response 24 = Silent Burglary 25 = Keyswitch Zone | <ul style="list-style-type: none"> 31 = End of Exit Time 32 = Start of Entry Time 33 = Any Burglar Alarm 36 = At Bell Timeout 38 = Chime 40 = Bypassing 41 = AC Power Failure 42 = System Low Battery 43 = Communication Failure 52 = KISSOFF 54 = Fire Zone Reset 58 = Duress 60 = AAV 2-Way Module 66 = Function Key* <li style="padding-left: 20px;">*Set as Function 7 in *57 67 = Bell Failure 68 = Telco Line Cut 78 = Keyswitch Red LED 79 = Keyswitch Green LED |
|---|--|

3c. If Zone Number selected enter here

(* for next, # for previous)

01 Enter Zn Num.	None	00
-------------------------	------	----

01 to 40, 91, 92 and 99

Then enter Event

(* for next, # for previous)

01 Enter Event	Restore	0
-----------------------	---------	---

0 = Zone Restore

1 = Alarm/Fault/Trouble

Ademco Vista-20P/First Alert FA-168C Program Sheet

4. Enter what the Output will do

(* for next, # for previous)

01 Output Action
Off 0

- 0 = Off/Disabled
- 1 = Close for 2 seconds
- 2 = Close and stay closed
- 3 = Continuous 1 second pulse On & Off
- 4 = Change Device State (close if open, open if closed)
- 5 = On for Duration 1 (from field *177)
- 6 = On for Duration 2 (from field *177)

5. Enter Output Number

(* for next, # for previous)

Enter Output No.
R01 01

Output 01 to 08 as defined in *79 menu

6. This is new Output programming

(* for next, # for previous)

01 A E P Trig
R01 1 1 3 ZL=1

7. Enter next Output Number or 00 to exit

Output Funct #
(00 = Quit) 01

*81 Zone Lists for Output Devices

1. Enter Zone List to program

(* for next, 00 to exit)

Enter Zn List
(00 = Quit) 01

- List 1 = General Purpose
- List 2 = General Purpose
- List 3 = Chime by Zone
- List 4 = Cross Zones
- List 5 = Night/Stay (for Night/Stay Arming)
- List 6 = General Purpose
- List 7 = General Purpose
- List 8 = General Purpose
- List 9 = Zones that activate Pager 1
- List 10 = Zones that activate Pager 2
- List 11 = Zones that activate Pager 3
- List 12 = Zones that activate Pager 4

2. Enter Zone(s) to add to Zone List

01 Enter Zn Num.
(00 = Quit) 00

Enter multiple Zones as 01* 02* 03*, finish with 00

3. Delete Zone List here if needed

01 Del Zn List?
0 = No 1 = Yes 0

Enter multiple Zones as 01* 02* 03*, finish with 00

4. Delete Zone here if needed

01 Delete Zone?
0 = No 1 = Yes 0

01 Zn to Delete?
(00 = Quit) 00

Delete multiple Zones as 01* 02* 03*, finish with 00

5. Enter next Zone List to program or 00 to exit

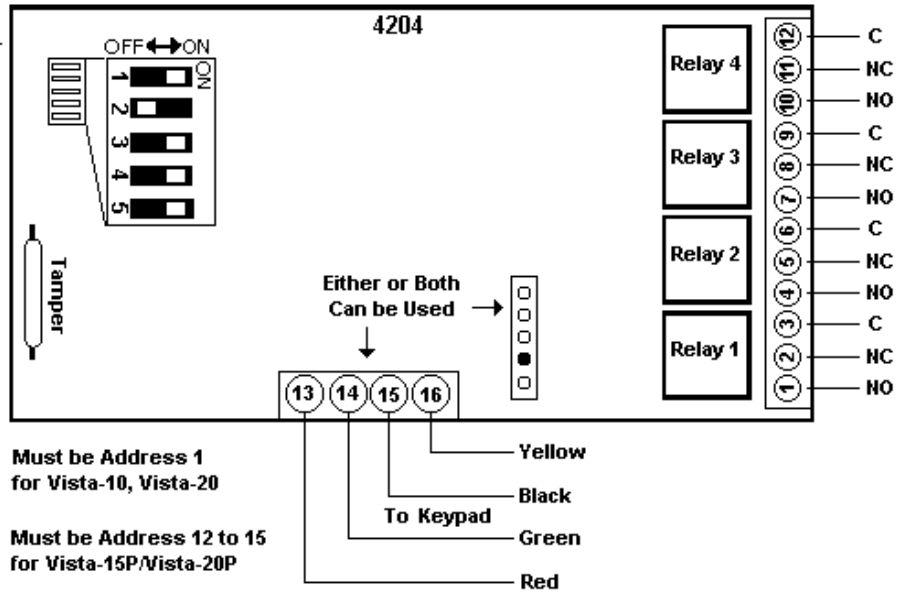
Enter Zn List
(00 = Quit) 01

Ademco Vista-20P/First Alert FA-168C Program Sheet

Ademco 4204 Relay Module

SW1 OFF = Enable Module Tamper
ON = Disable Module Tamper

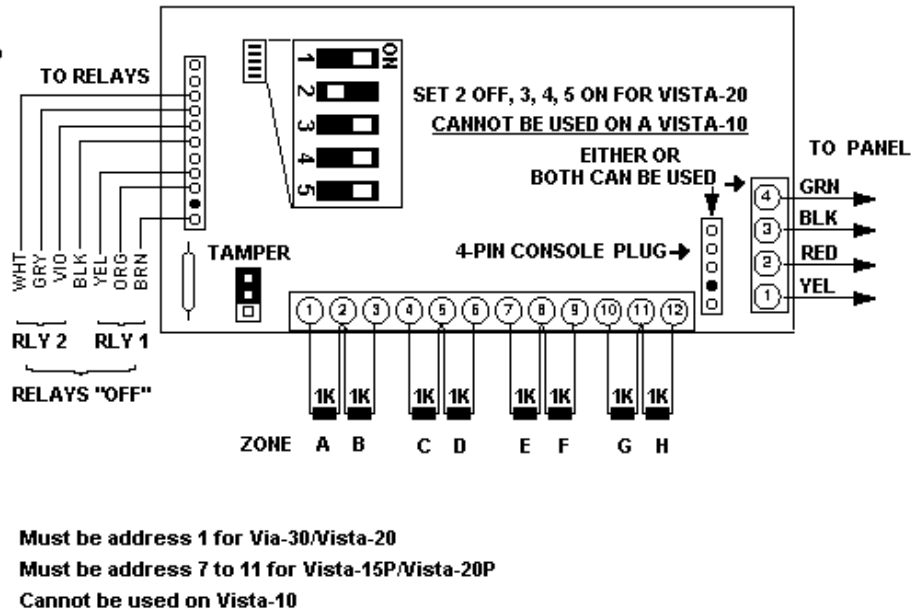
Address	2	3	4	5
0	ON	ON	ON	ON
1	OFF	ON	ON	ON
2	ON	OFF	ON	ON
3	OFF	OFF	ON	ON
4	ON	ON	OFF	ON
5	OFF	ON	OFF	ON
6	ON	OFF	OFF	ON
7	OFF	OFF	OFF	ON
8	ON	ON	ON	OFF
9	OFF	ON	ON	OFF
10	ON	OFF	ON	OFF
11	OFF	OFF	ON	OFF
12	ON	ON	OFF	OFF
13	OFF	ON	OFF	OFF
14	ON	OFF	OFF	OFF
15	OFF	OFF	OFF	OFF



Ademco 4219/4229 Relay/Zone Expander

Switch 1
ON = Zone A Normal Loop
OFF = Zone A Fast Loop

Address	2	3	4	5
0	ON	ON	ON	ON
1	OFF	ON	ON	ON
2	ON	OFF	ON	ON
3	OFF	OFF	ON	ON
4	ON	ON	OFF	ON
5	OFF	ON	OFF	ON
6	ON	OFF	OFF	ON
7	OFF	OFF	OFF	ON
8	ON	ON	ON	OFF
9	OFF	ON	ON	OFF
10	ON	OFF	ON	OFF
11	OFF	OFF	ON	OFF
12	ON	ON	OFF	OFF
13	OFF	ON	OFF	OFF
14	ON	OFF	OFF	OFF
15	OFF	OFF	OFF	OFF



Monitronics Monitoring and Service: 1-800-447-9239

Ademco Vista-20P/First Alert FA-168C Quick Reference Guide

Arm Away	User Code + AWAY key (2) Note: If system shows NOT READY press * to view open zones
Arm Stay	User Code + STAY key (3)
Disarming / Silencing Alarms	User Code + OFF key (1) If turning off an alarm enter 4 digit code + OFF key (1) again to clear display
Instant Doors	User Code + INSTANT (7) to arm system Entry/Exit doors will arm instant and motion detectors will be bypassed (display will show both STAY and INSTANT)
Zone Bypassing	User Code + BYPASS key (6) + zone (01, 02, 03 etc). The display will show BYPASS and the zone bypassed Note: Fire/Smoke Detector Zones cannot be bypassed
User Codes	Enter MASTER CODE + CODE key (8) Enter User to program (Partition 1 03 to 32, Partition 2 = 33 to 49) Enter new 4-digit User Code (Keypad will beep if command is successful) To delete a code Enter MASTER CODE + CODE key (8) Enter User to delete (03 to 33) + # + 0 (Keypad will beep if command is successful) Master Code can be changed by MASTER CODE + 8 + 02 + New MASTER CODE + New MASTER CODE
Door Chimes	Master Code + CHIME (9), if activated the display will show CHIME, repeat to turn Chimes OFF
Trouble Display	NO AC = Loss of AC power to the system LOW BAT = Main panel has a low battery, if LOW BAT appears with a zone number that zone has low battery CHECK = There is a problem with a wireless zone, fire zone or the main systems wireless receiver
Panic Buttons	By holding down a combination of numbers will activate the Police, Fire and Medical Panics Press * and # at same time for Police Panic Press 1 and * at the same time for Fire Panic Press 3 and # at the same time for Medical Panic Note: The Fire and Medical Panics may be reversed or disabled on some systems
Set Time/Date	Master Code + # + 63 + * Enter 2-digit Hour (00 to 12) Enter 2-Digit Minute (00 to 59) Press 1 for PM, press 2 for AM Enter 2-digit Year (01 to 99) Enter 2-digit Month (01 to 12) Enter 2-digit Day (01 to 31) Press * to exit

Do not pause more than 2 seconds between each keypress or system will ignore above commands